

# ORDER INFORMATION

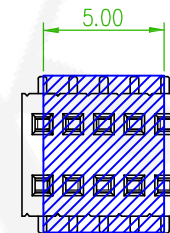
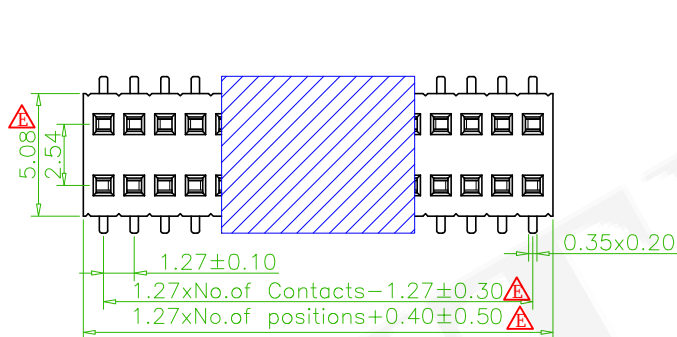
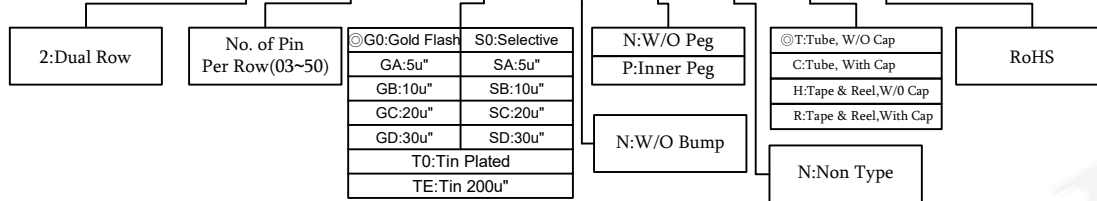
## SPECIFICATION

Current Rating: 1 AMP  
 Insulation Resistance: 1000MΩ Min.  
 Contact Resistance: 20mΩ Max.  
 Dielectric Voltage: 500V AC for one minute  
 Operation Temperature: -40°C to +105°C

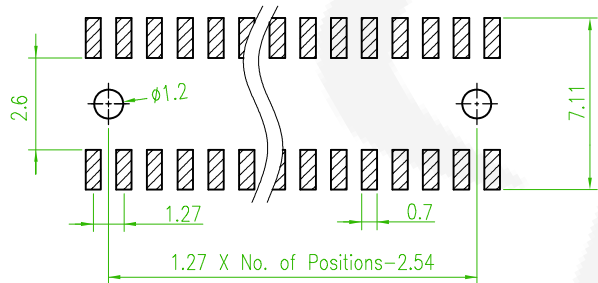
## MATERIAL

Insulator: Hi-Temp. Thermoplastic, UL94V-0, Black  
 Contact Pin: Copper Alloy

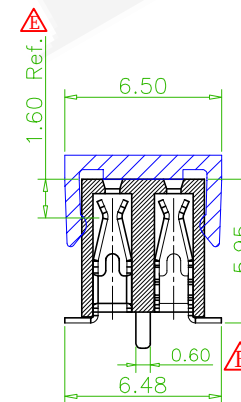
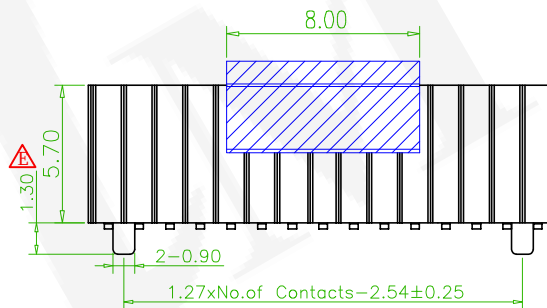
5 P S 4 M S A 5 7 - 2 X X X X N X N X U - 0 0



△△ Cap for 2\*3P-2\*5P



Recommended PCB Layout  
 (PCB TOLERANCE ±0.05) △



Old Part No. : PS4M58-2XX-U

△x8	ECR NO.210723: Revise the Drawing.	David	2021/08/12
△x1	ECR NO.190409: Add the Drawing.	Daniel	2019/05/20
△x1	Add the recommended mating part.	Gary	2019/02/14
REV.	ECN NO. OR DESCRIPTION	REVISED	DATE

糧德精密有限公司  
 Amtek Technology Co., Ltd.  
 TEL: 886-2-2260-6878  
 FAX: 886-2-2260-8030

品名 TITLE	FEMALE HEADER 1.27mm D/R V/T SMT TYPE				頁數 Page	1/1
品號 PART NO.	5PS4MSA57-2XXXXNXNXU-00			繪圖 DRAWN	Jeff 2015/08/31	
圖號 DRAWING NO.	GN003-RR870	版本 REV.	E	核對 CHECKED	Josh 2019/02/14	
客戶品號 CUSTOMER P/N		比例 SCALE	None	承認 APPROVED	Josh 2019/02/14	
公差 TOLERANCE	.X ± 0.38 .XX ± 0.25	X°±3	單位 UNIT	mm	THIRD ANGLE PROJECTION	