

ORDER INFORMATION

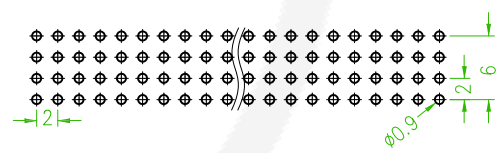
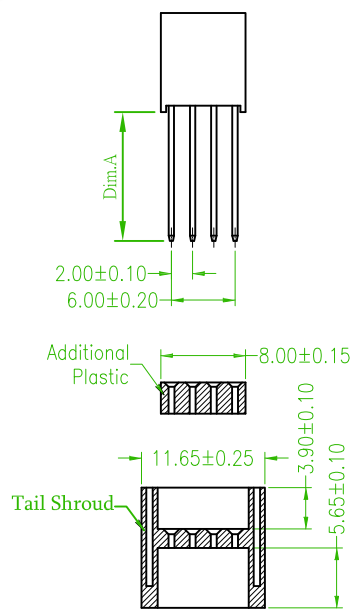
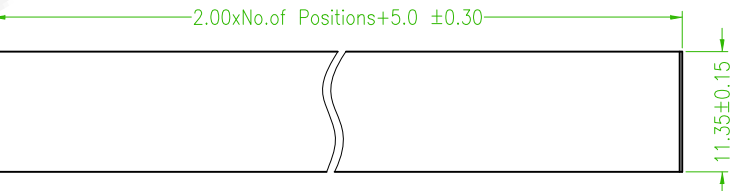
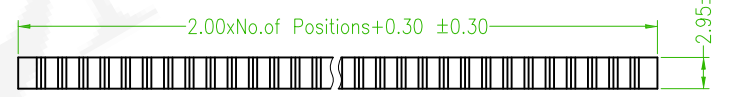
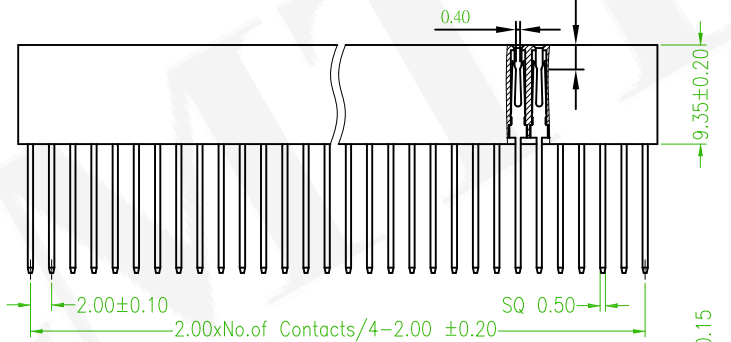
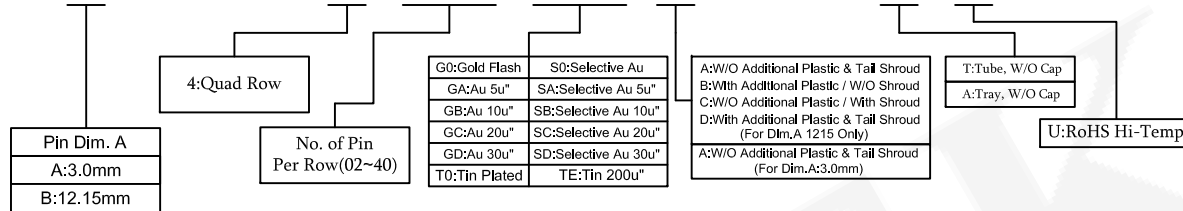
SPECIFICATION

Current Rating: 2 AMP
 Insulation Resistance: 1000MΩ Min.
 Contact Resistance: 20mΩ Max.
 Dielectric Voltage: 500V AC for one minute
 Operation Temperature: -40°C to +105°C

MATERIAL

Insulator: Hi-Temp. Thermoplastic, UL94V-0
 Contact Pin: Copper Alloy

5 P S 2 S D X 9 4 - 4 X X X X X N N X U - 0 0



Recommended PCB Layout
 (PCB TOLERANCE ±0.1)

Old P/N : PS2S94-4XX-XXX-U

| | | | |
|------|------------------------|---------|------|
| REV. | ECN NO. OR DESCRIPTION | REVISED | DATE |
|------|------------------------|---------|------|

| | | | | | | |
|--|----------------------|-------------------------|-------------|------------|----------------|------------------------|
| 糧德精密有限公司 Amtek Technology Co., Ltd. TEL: 886-2-2260-6878 FAX: 886-2-2260-8030 | 品名 TITLE | FEMALE HEADER 2.0mm | | | 頁數 Page | 1/1 |
| | 品號 PART NO. | 5PS2SDX94-4XXXXXXNNU-00 | | | 繪圖 DRAWN | Joe 2011/12/26 |
| | 圖號 DRAWING NO. | GN003-GA045 | 版本 REV. | B | 核對 CHECKED | Sarah 2011/12/26 |
| | 客戶品號 CUSTOMER P/N | | 比例 SCALE | None | 承認 APPROVED | James 2011/12/26 |
| | 公差 TOLERANCE | .X ± 0.25 .XX ± 0.20 | .X° ± 3 | 單位 UNIT | mm | THIRD ANGLE PROJECTION |