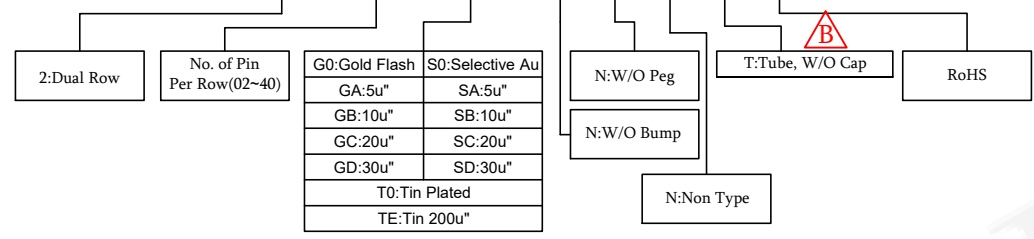


**MATERIAL**

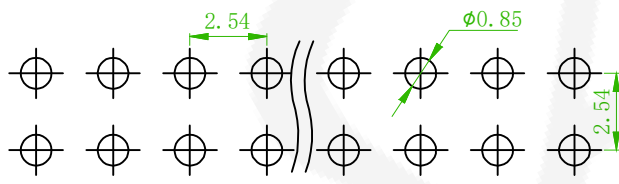
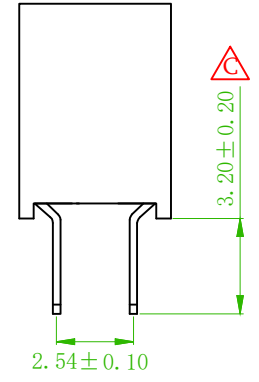
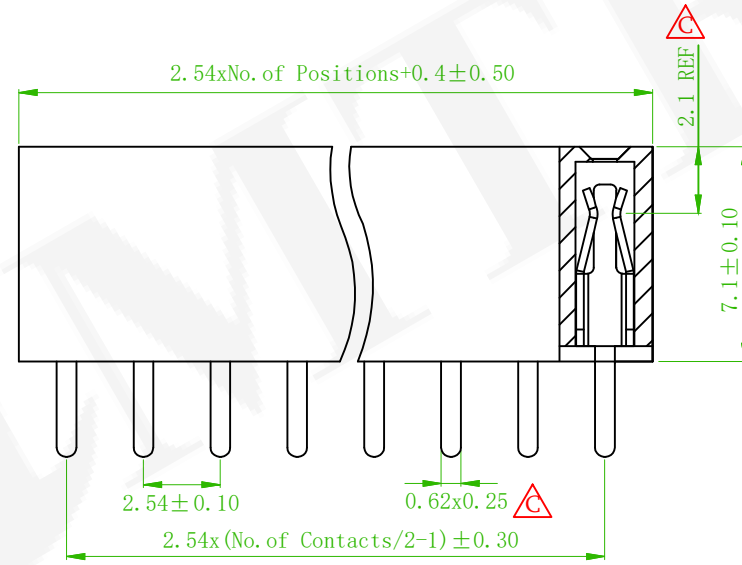
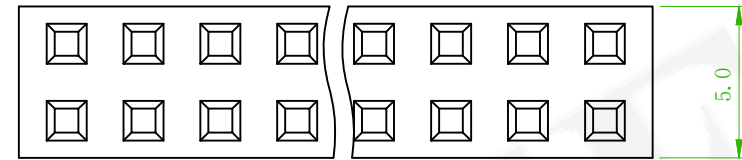
Insulator:Nylon 9T, UL94V-0, Black  
Contact Pin:Phosphor Bronze

**ORDER INFORMATION**

5 P S 1 S D B 7 1 - 2 X X X X N N N T U - 0 0



AMTEK 耀德  
2022.06.27  
Released DCC



Recommended PCB Layout  
(PCB TOLERANCE ±0.05)



品名 TITLE	FEMALE HEADER 2.54mm V/T D/R DIP TYPE				頁數 Page	1/1
品號 PART NO.	5PS1SDB71-2XXXXNNNTU-00			繪圖 DRAWN	Mia 2018/01/24	
圖號 DRAWING NO.	GN110-MC907	版本 REV.	D	核對 CHECKED	Josh 2018/01/24	
客戶品號 CUSTOMER P/N		比例 SCALE	None	承認 APPROVED	Jason 2018/01/24	
公差 TOLERANCE	.X ± 0.38 .XX ± 0.25	X°±3°	單位 UNIT	mm	THIRD ANGLE PROJECTION	

	ECN NO.:220102 Revise the drawing	Alice	2022/05/05
	ECN.NO.210602:Revise the drawing	David	2021/06/24
	ECN.NO.190705:Cancel package option(C.H.R),Revise the Part No.	Nick	2019/09/27
REV.	ECN NO. OR DESCRIPTION	REVISED	DATE