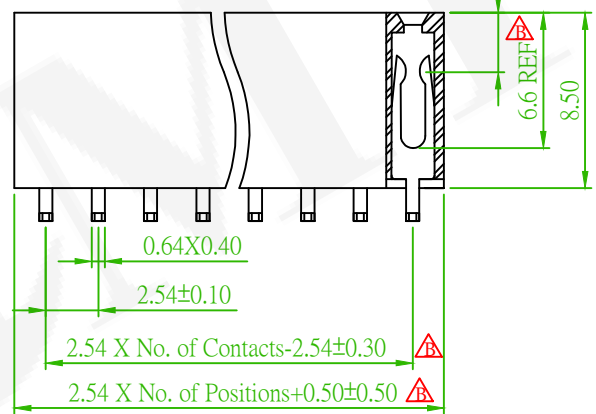
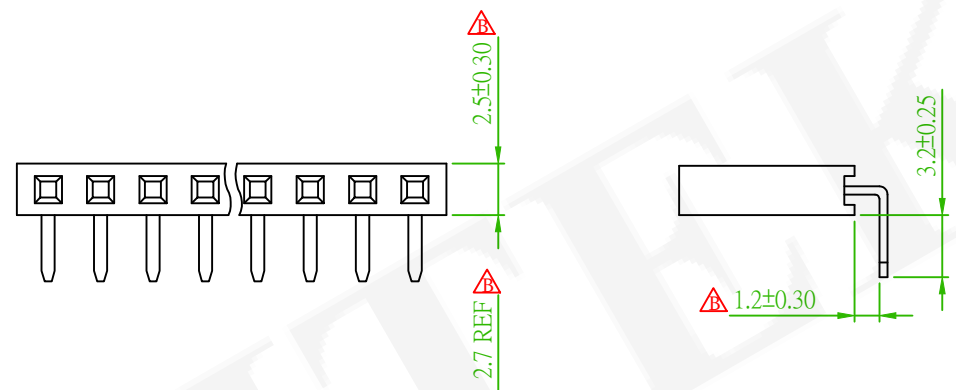
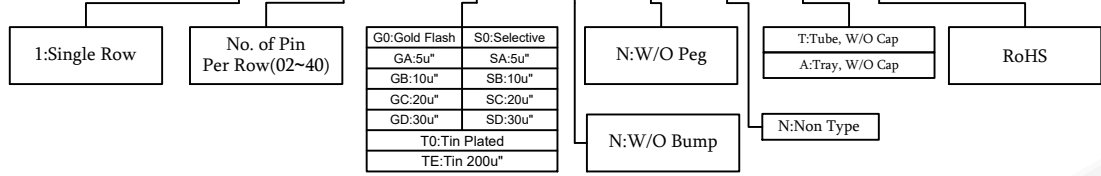


MATERIAL

Insulator:PBT, UL94V-0, Black
Contact Pin:Brass

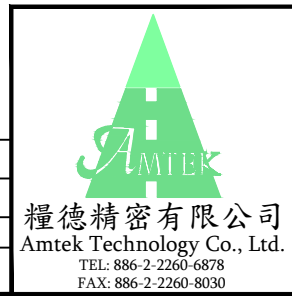
ORDER INFORMATION

5 P S 1 R D B 8 5 - 1 X X X X N N N X L - 0 0



Recommended PCB Layout
(PCB TOLERANCE ±0.05)

Old Part No. : PS1R85-1XX-L



品名 TITLE	FEMALE HEADER 2.54mm			頁數 Page	1/1
品號 PART NO.	5PS1RDB85-1XXXXNNNXL-00			繪圖 DRAWN	Roy 2017/06/15
圖號 DRAWING NO.	GN110-DW492	版本 REV.	C	核對 CHECKED	Jerry 2017/06/15
客戶品號 CUSTOMER P/N		比例 SCALE	None	承認 APPROVED	Jerry 2017/06/15
公差 TOLERANCE	.X ± 0.30 .XX ± 0.25	X°±3	單位 UNIT	mm	THIRD ANGLE PROJECTION

REV.	DESCRIPTION	REVISED	DATE
x1	ECN NO.:220102 Revise the drawing	Alice	2022/05/03
x7	ECN NO.210539: Revise the drawing	David	2021/06/27