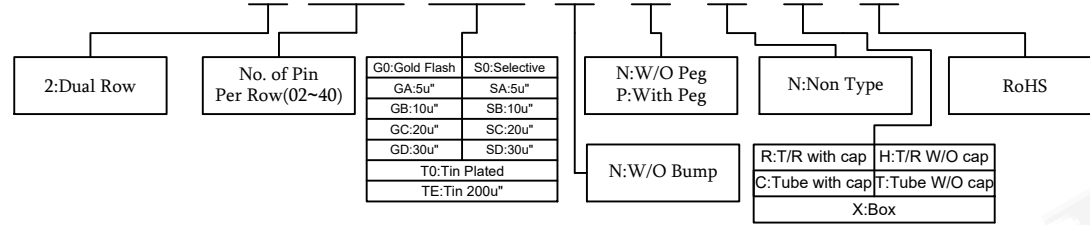


# MATERIAL

Insulator: Nylon 9T, UL 94V-0  
 Contact Material: Phosphor Bronze

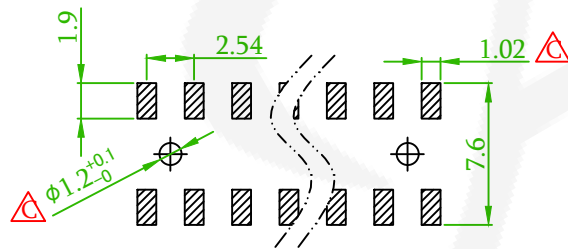
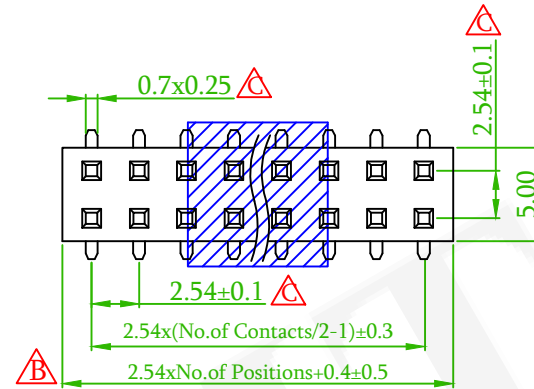
# ORDER INFORMATION

5 P S 1 M S B 7 1 - 2 X X X X N X N X U - 0 0

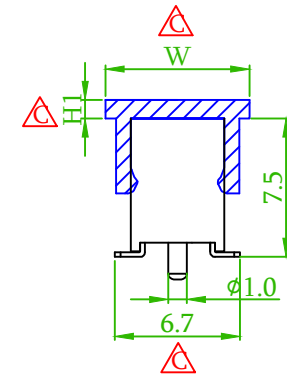
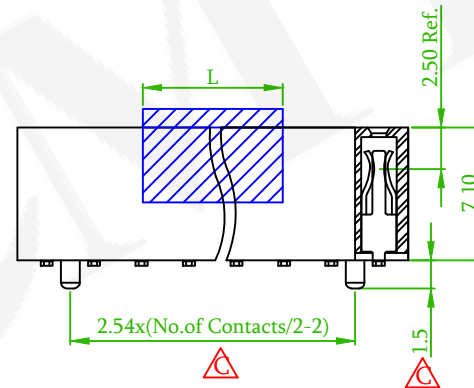


AMTEK 耀德  
 2021.11.01  
 Released DCC

Pin NO.	L	W	H1
≤ 4PIN	5.2	6.5	1.0
> 4PIN	7.5	7.7	1.0



Recommended P.C.B Layout  
 (PCB BOARD TOLERANCE±0.05)



Old Part No. : PS1M71-2XX-U

 耀德精密有限公司 Amtek Technology Co., Ltd. TEL: 886-2-2260-6878 FAX: 886-2-2260-8030	品名	FEMALE HEADER 2.54mm			頁數	1/1
	TITLE	PLASTIC HEIGHT 7.1mm SMT STRAIGHT			繪圖	Sinnys
	品號	5PS1MSB71-2XXXXNXXNU-00			DRAWN	2010/10/21
	圖號	GN005-RL220	版本	D	核對	Kelvin
	DRAWING NO.		REV.		CHECKED	2010/10/21
客戶品號		比例	None	承認	James	
CUSTOMER P/N		SCALE		APPROVED	2010/10/21	
公差	.X ±0.38	單位	mm	THIRD ANGLE PROJECTION		
TOLERANCE	.XX ±0.25	UNIT				

△x2	ECN NO.:210916 Revise the drawing	Alice	2021/10/22
△	ECN NO.:210732 Revise the drawing	Alice	2021/08/27
△	ECR No.:170641	B Roy	2017/07/05
REV.	ECN NO. OR DESCRIPTION	REVISED	DATE