

MATERIAL

Insulator: Nylon 9T, UL94V-0, Black 
 Contact Pin: Brass 

ORDER INFORMATION

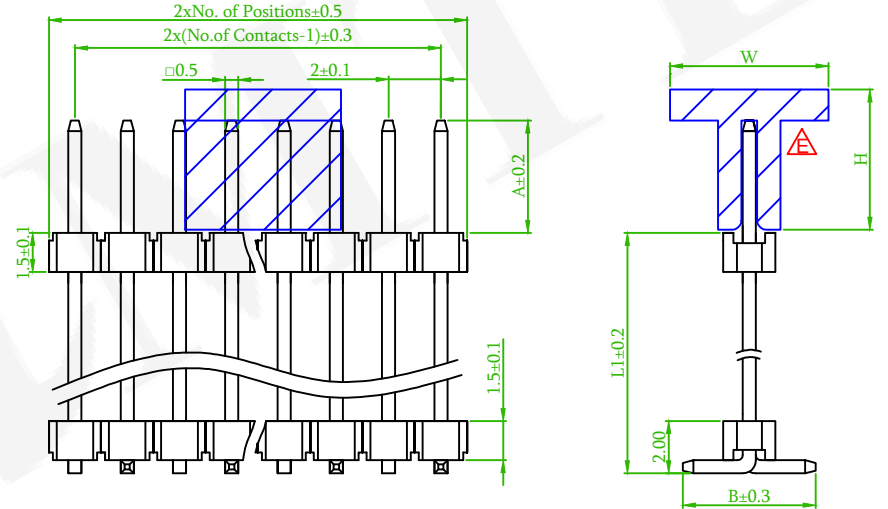
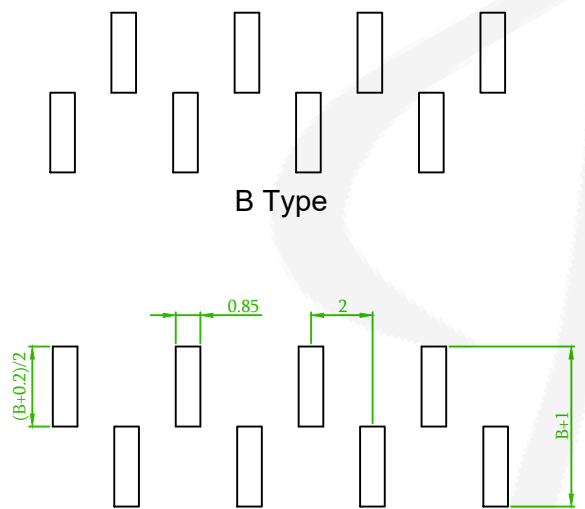
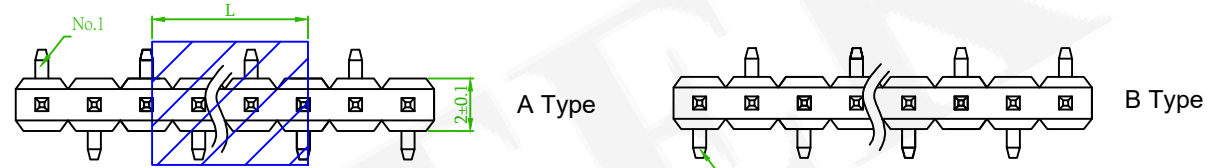
5 P H 2 D M A 1 5 - 1 X X X X N X X U - A L 1 B - 0 0

1: Single Row	No. of contacts Per Row(02~40)	G0: Gold Flash GA: Au 5u" GB: Au 10u" GC: Au 20u" GD: Au 30u" T0: Tin Plated	S0: Selective Au SA: Selective Au 5u" SB: Selective Au 10u" SC: Selective Au 20u" SD: Selective Au 30u" TE: Tin 200u"	N: W/O Peg	A: A Type (Odd & Even Pin) B: B Type (Only Even Pin)	RoHS	EX:060XXX050 A:6.0 L1:As Required B:5.0
						R: T/R With Cap H: T/R W/O Cap C: Tube With Cap (5 Pin ↑) T: Tube W/O Cap (5 Pin ↑)	



AMTEK 耀德
 2021.10.29
 Released DCC

CAP	L	W	H (Ref.)
≥ 1 x 2 Pin	5.0	5.08	4.5






Old Part No. : PH2DM15-1XX-U

Recommended PCB Layout
 (PCB TOLERANCE ±0.1)

Amtek Technology Co., Ltd.
 TEL: 886-2-2260-6878
 FAX: 886-2-2260-8030

品名 TITLE	PIN HEADER 2.0mm				頁數 Page	1/1
品號 PART NO.	5PH2DMA15-1XXXXNXXU -XXXXXXXXXX-00			繪圖 DRAWN	Jeff 2016/09/14	
圖號 DRAWING NO.	GN016-GA219	版本 REV.	H	核對 CHECKED	Johnny 2016/09/14	
客戶品號 CUSTOMER P/N		比例 SCALE	None	承認 APPROVED	Aaron 2016/09/14	
公差 TOLERANCE	.X ± 0.38 .XX ± 0.25	單位 UNIT	mm	THIRD ANGLE PROJECTION		

 x2	ECN NO.:210916 Revise the drawing	Alice	2021/10/6
	ECN No.:210619 Revise the top view	Alice	2021/09/17
 x1	ECN No.:171201, Revise the Cap.	Roy	2017/12/01
REV.	ECN NO. OR DESCRIPTION	REVISED	DATE