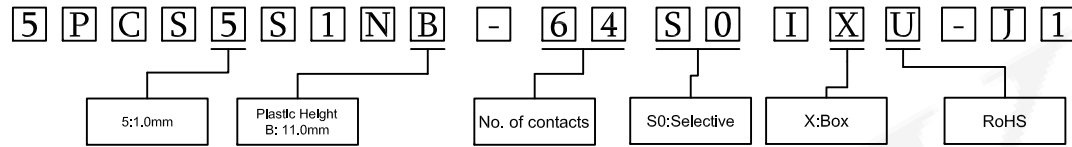


NOTES

Material

Body : NYLON46+30%G.F
 UL 94V-0 Rated.Color: Black
 CAV.No: A~H
 Contacts : Brass
 Plating: Gold plating over Nickel on contact
 Area; Tin plating on Solder tail.

ORDER INFORMATION

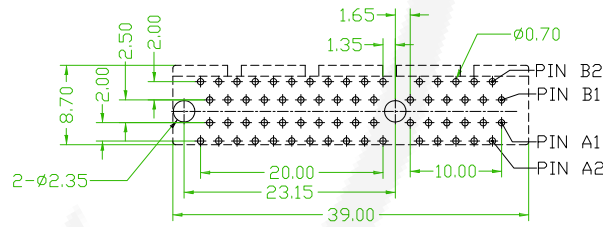


Mechanical:

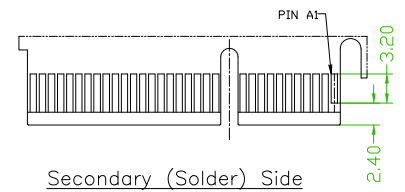
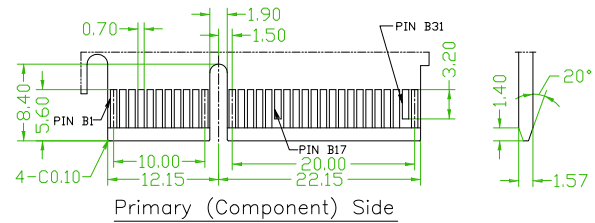
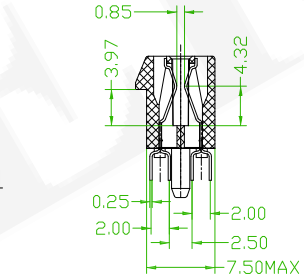
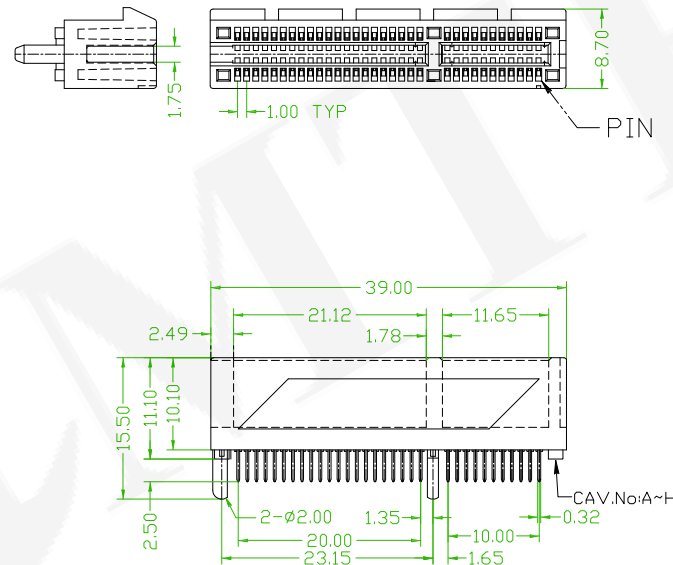
Insertion Force: 1.15N max per contact pair;
 Withdrawal Force: 0.15N min per contact pair;
 Contact Retention Force: 4.9N min per contact;

Electrical Specification

Contact Resistance : 30 Milliohms Max.
 Current Resistance : 1.1 Ampere
 Insulation Resistance : 1000 Megohms Min, At 500V AC.
 Operating Temperature : -55°c to +105°c



P.C.B Layout
TOP VIEW



Old P/N:PCIS-64XBXX-C-U

REV.	ECN NO. OR DESCRIPTION	REVISED	DATE

TEL: 886-2-2260-6878
 FAX: 886-2-2260-8030

品名 TITLE	PCI EXPRESS 64PIN (Chip Type)				頁數 Page	1/1
品號 PART NO.	5PCS5S1NB-64S0IXU-J1				繪圖 DRAWN	Roy 2016/10/27
圖號 DRAWING NO.	GW032-RL009	版本 REV.	A	核對 CHECKED	Jonny 2016/10/27	
客戶品號 CUSTOMER P/N		比例 SCALE	None	承認 APPROVED	Aaron 2016/10/27	
公差 TOLERANCE	.X ±0.38 .XX ±0.25	X°±3°	單位 UNIT	mm	THIRD ANGLE PROJECTION	