

SPECIFICATIONS

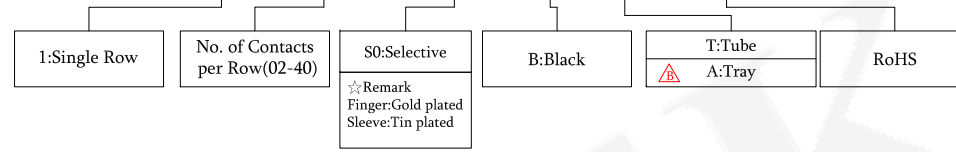
Current Rating: 3 AMP
 Insulation Resistance: ≥1000MΩ at V=100V.
 Contact Resistance: ≤10mΩ/Contact
 Dielectric Voltage: 1000V AC for one minute
 Operation Temperature: -40°C to +105°C

MATERIAL

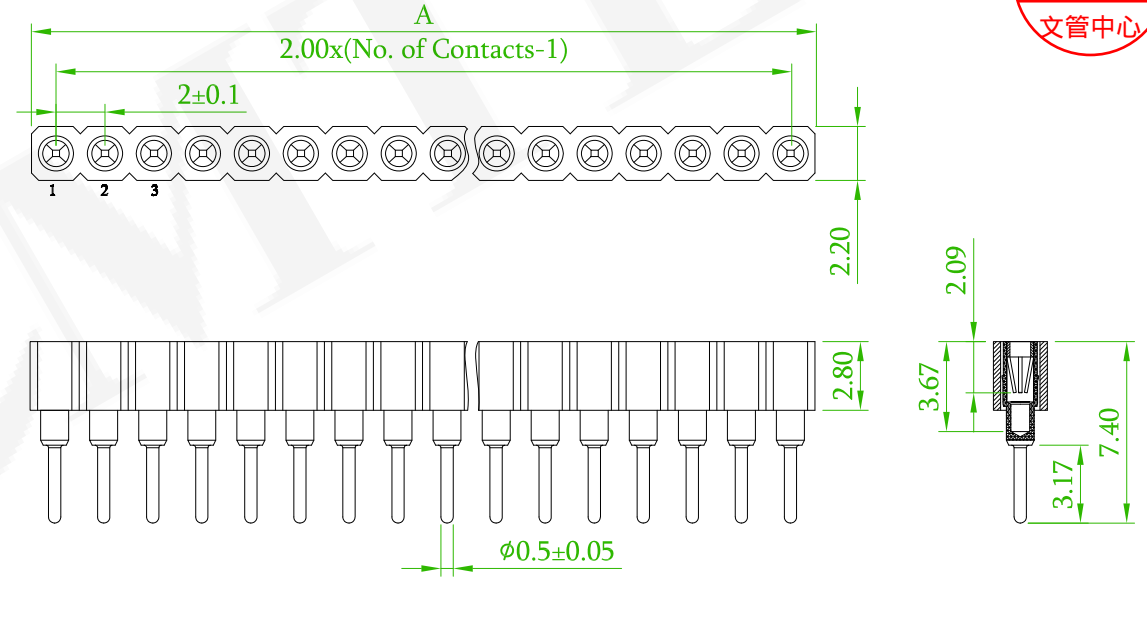
Insulator: Hi-Temp. Thermoplastic, UL94V-0
 Contact Pin: Copper Alloy

ORDER INFORMATION

5 M S 2 S 2 8 N - 1 X X X X B X U - 0740 - 0 1



No. of Pin	Dim A
40 PIN	2x No. of Positions+1±0.4
<40 PIN	2x No. of Positions ^{+0.6} _{-0.4}



Recommended PCB Layout
 (PCB TOLERANCE ±0.1)

Old P/N: MS2S-1XX-U

REV.	ECN NO. OR DESCRIPTION	REVISED	DATE
△B x1	Add a package: A: Tray.	Gary	2017/12/18

糧德精密有限公司
 Amtek Technology Co., Ltd.
 TEL: 886-2-2260-6878
 FAX: 886-2-2260-8030

品名 TITLE	MACHINE PIN SOCKET STRIP TYPE 2.00mm			頁數 Page	1/1
品號 PART NO.	5MS2S28N-1XXXXBXU-0740-01			繪圖 DRAWN	Jeff 2015/09/16
圖號 DRAWING NO.	GN003-GA844	版本 REV.	B	核對 CHECKED	Josh 2017/12/18
客戶品號 CUSTOMER P/N		比例 SCALE	None	承認 APPROVED	Jason 2017/12/18
公差 TOLERANCE	.X ±0.40 .XX ±0.25	.X°±3	單位 UNIT	mm	THIRD ANGLE PROJECTION