

SPECIFICATIONS

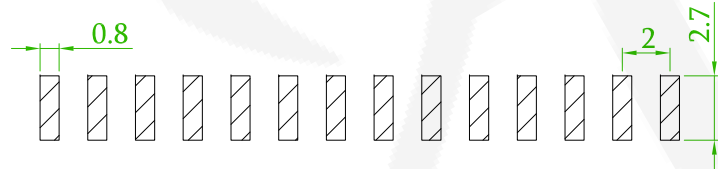
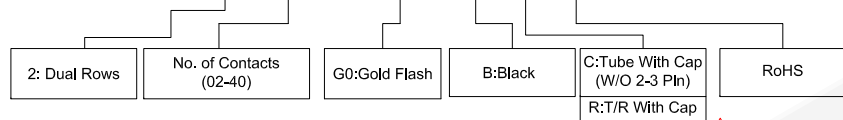
Current Rating: 3 AMP
 Insulation Resistance 1000MΩ Min.
 Contact Resistance: 10mΩ Max.
 Dielectric Voltage: 1000V AC for one minute
 Operating Temperature: -40°C ~ +105°C

MATERIAL

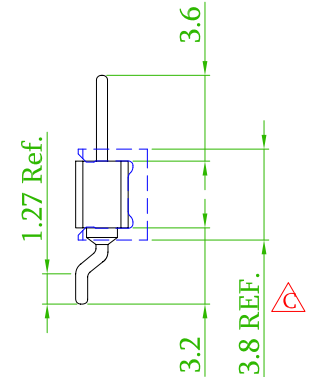
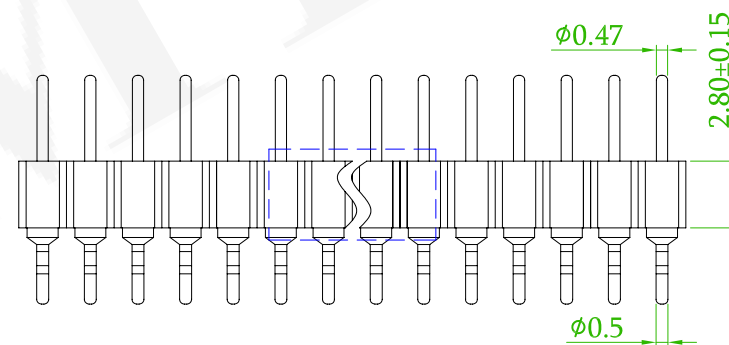
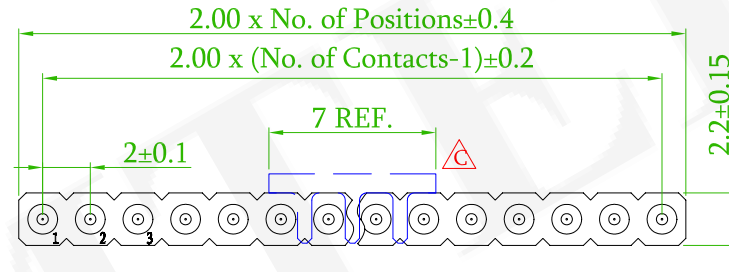
Insulator: PPS+30%G. F., UL94V-0
 Contact Pin: Copper Alloy

ORDER INFORMATION

5 M H 2 H 2 8 N - 1 X X G 0 B X U - 0 0 0 0 - 0 1



Recommended PCB Layout
 (PCB TOLERANCE ±0.1)



Old P/N: MH2MR-1XX-U

△x2	ECN NO.: 180303, revise the cap: 7.5x6.5 -> 7.0x3.8.	Gary	2018/03/26
△x1	Add the annotation.	Gary	2018/01/31
REV.	ECN NO. OR DESCRIPTION	REVISED	DATE

Amtek Technology Co., Ltd.
 TEL: 886-2-2260-6878
 FAX: 886-2-2260-8030

品名 TITLE	2.0mm MACHINE PIN HEADER R/A SMT TYPE				頁數 Page	1/1
品號 PART NO.	5MH2H28N-1XXG0BXU-0000-01			繪圖 DRAWN	Gary 2017/11/08	
圖號 DRAWING NO.	GN003-GA733	版本 REV.	C	核對 CHECKED	Josh 2018/03/26	
客戶品號 CUSTOMER P/N		比例 SCALE	None	承認 APPROVED	Jason 2018/03/26	
公差 TOLERANCE	.X ± 0.30 .XX ± 0.25	單位 UNIT	mm	THIRD ANGLE PROJECTION		