

### SPECIFICATION

Current Rating: 0.5 AMP  
 Rating Voltage: 30V AC  
 Insulation Resistance: 100MΩ Min.  
 Contact Resistance: 50mΩ Max.  
 Dielectric Voltage: 100V AC for one minute  
 Mating Cycles: 5000 Insertions  
 Operating Condition: Temperature :-30°C to +80°C

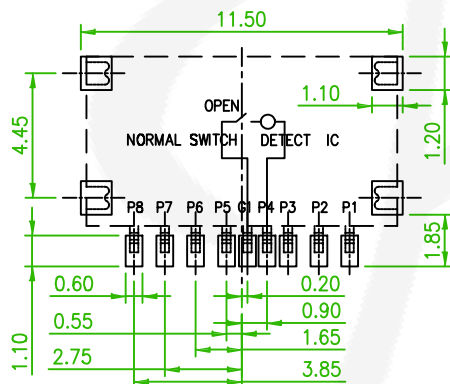
### MATERIAL

Housing: Hi-Temp Temperature, UL94V-0, Black  
 Terminal: Copper Alloy  
 Shell: Stainless steel

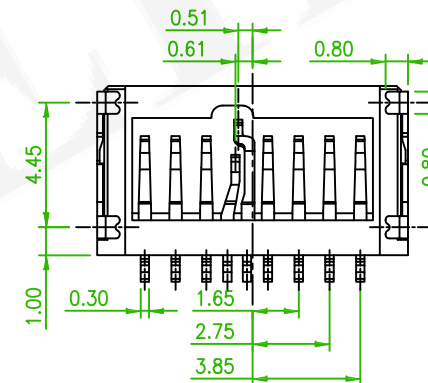
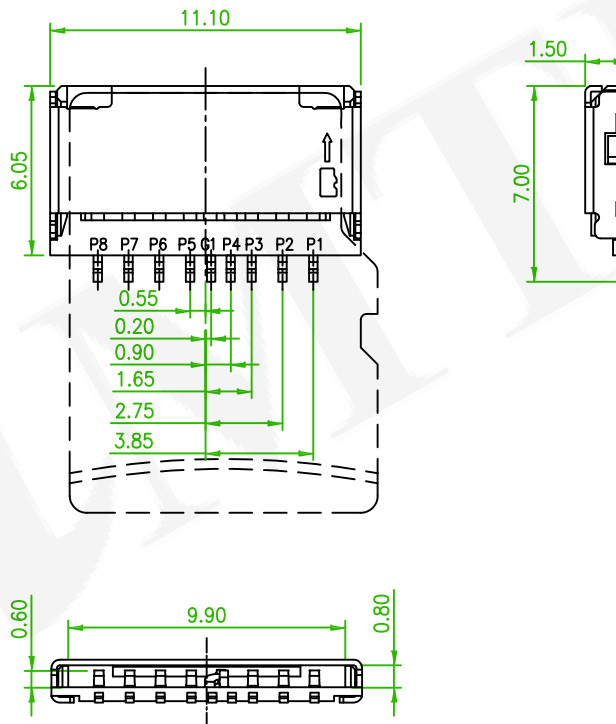
### ORDER INFORMATION

5 K T F S - 0 9 G 0 N H L 0 1

No. of Contacts      G0:Gold Flash      H:T/R W/O Cap



RECOMMENDED PCB LAYOUT  
 TOLERANCE:±0.05



G1	SWITCH
P8	DAT1
P7	DAT0
P6	VSS
P5	CLK
P4	VDD
P3	CMD
P2	CD/DAT3
P1	DAT2
Pin No.	DESC

REV.	ECN NO. OR DESCRIPTION	REVISED	DATE
------	------------------------	---------	------

糧德精密有限公司 Amtek Technology Co., Ltd. TEL: 886-2-2260-6878 FAX: 886-2-2260-8030	品名 TITLE	TF PUSH-PULL TYPE			頁數 Page	1/1
	品號 PART NO.	5KTFS-09G0NHL01			繪圖 DRAWN	David 2019/10/01
	圖號 DRAWING NO.	GN195-DV335	版本 REV.	A	核對 CHECKED	Josh 2019/10/01
	客戶品號 CUSTOMER P/N		比例 SCALE	None	承認 APPROVED	Josh 2019/10/01
	公差 TOLERANCE	.X ±0.35 .XX ±0.25	單位 UNIT	mm	THIRD ANGLE PROJECTION	