

### SPECIFICATION

Current Rating: 0.5 A  
 Rating Voltage: 50V AC  $\triangle B$   
 Insulation Resistance: 1000M $\Omega$  Min.  
 Contact Resistance: 100m $\Omega$  Max.  
 Dielectric Voltage: 500V AC for one minute  
 Operation Temperature: -40°C to +85°C  $\triangle B$

### MATERIAL

Housing: Hi-Temp Temperature, UL94V-0, Black  
 Terminal: Phosphor Bronze  $\triangle B$   
 Shell: Stainless steel

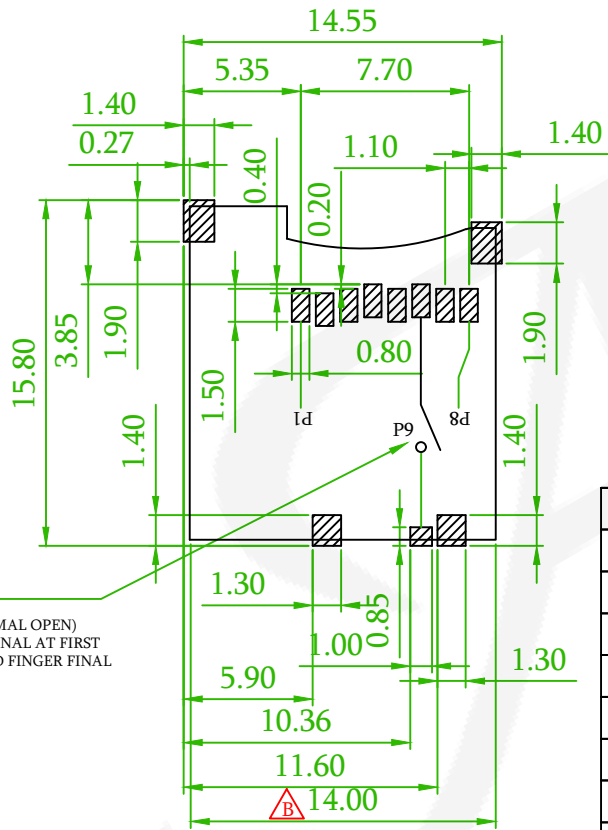
### ORDER INFORMATION

5 K T F P - 0 8 S 0 N H L 0 2

No. of Contacts      S0: Selective      H: T/R W/O Cap



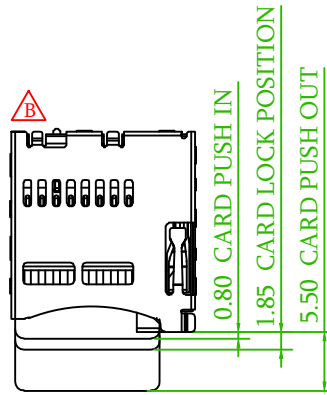
AMTEK 糧德  
 2023.01.19  
 Released DCC



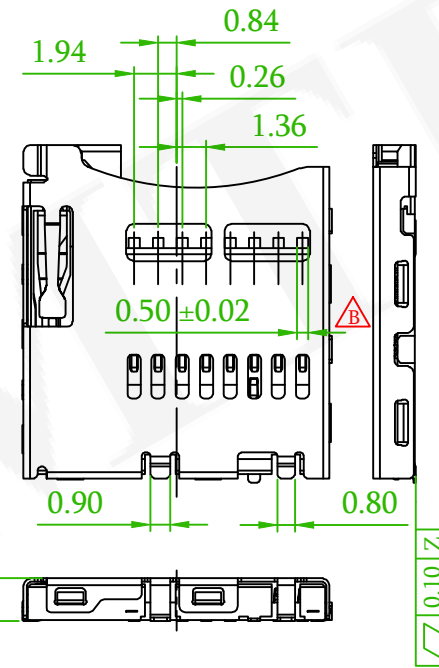
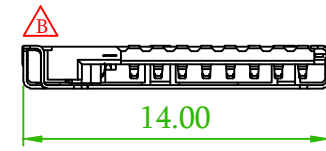
VDD SWITCH(NORMAL OPEN)  
 TOUCH VDD TERMINAL AT FIRST  
 TOUCH CARD GOLD FINGER FINAL

RECOMMEND PCB LAYOUT  
 GENERAL TOLERANCE  $\pm 0.05$

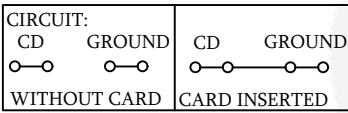
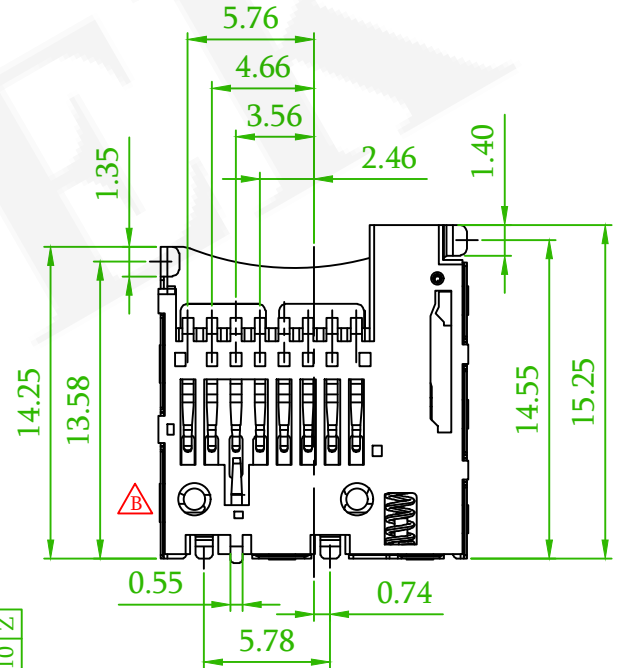
Pin No.	MICRO SD
PIN1	DAT2 1P
PIN2	CD/DAT3 2P
PIN3	CMD 3P
PIN4	VDD 4P
PIN5	CLK 5P
PIN6	VSS 6P
PIN7	DAT0 7P
PIN8	DAT1 8P
PIN9	CARD DETECT



$\triangle B$  0.05(ALL)



$\triangle B$  1.95



TEL: 886-2-2260-6878  
 FAX: 886-2-2260-8030

品名 TITLE	MICRO SD CARD PUSH-PUSH TYPE				頁數 Page	1/1
品號 PART NO.	5KTFP-08S0NHL02				繪圖 DRAWN	Benson 2019/09/03
圖號 DRAWING NO.	GN195-BS249	版本 REV.	B	核對 CHECKED	Josh 2019/09/03	
客戶品號 CUSTOMER P/N		比例 SCALE	None	承認 APPROVED	Josh 2019/09/03	
公差 TOLERANCE	.X $\pm 0.30$ .XX $\pm 0.20$	單位 UNIT	mm	THIRD ANGLE PROJECTION		

$\triangle B$ 10	QEC NO.: 230104 Revise the drawing	Alice	2023/01/17
REV.	ECN NO. OR DESCRIPTION	REVISED	DATE