

**SPECIFICATION** ⚠

Current Rating: 0.5 AMP  
 Insulation Resistance: 100MΩ Min. ⚠  
 Contact Resistance: 100mΩ Max.  
 Dielectric Voltage: 500V AC for one minute  
 Operation Temperature: -40 °C to +85 °C ⚠

**MATERIAL**

Insulator: Hi-Temp Thermoplastic, UL 94V-0,Black  
 Contact: Copper Alloy  
 Shell: Stainless Steel

**ORDER INFORMATION**

5 K T F G - 0 8 ⚠ S 0 N H L 0 1

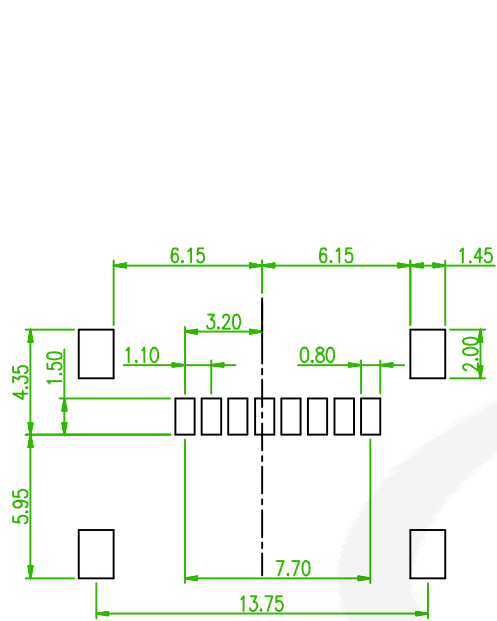
No. of contacts

S0:Selective Au

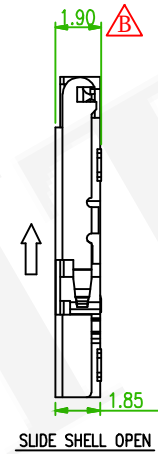
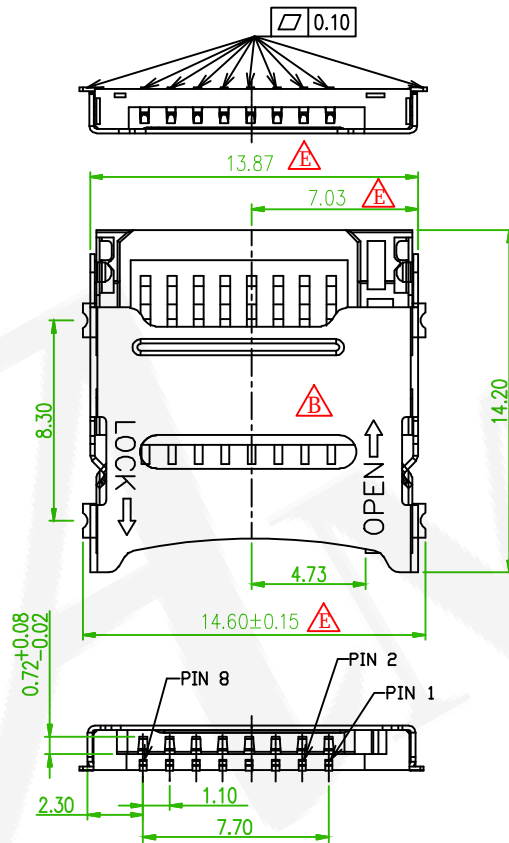
H: T/R W/O Cap



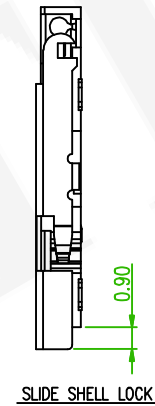
AMTEK 禮德  
 2023.02.16  
 Released DCC



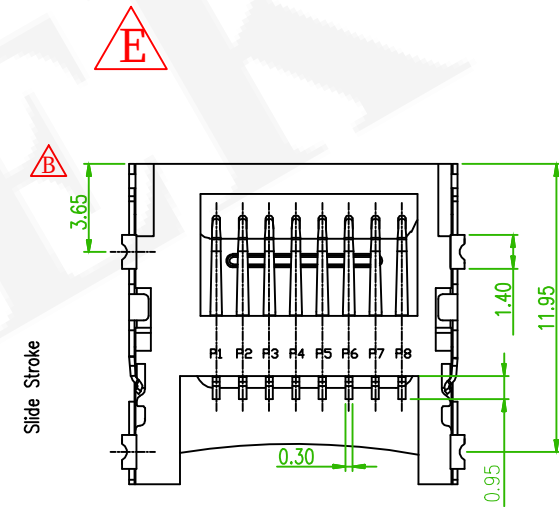
P.C.B LAYOUT



SLIDE SHELL OPEN



SLIDE SHELL LOCK



Slide Stroke

<span style="color:red">⚠x6</span>	ECN NO.:230203 Revise the Drawing	Rex	2023/02/14
<span style="color:red">⚠x2</span>	QEC NO.:201206 Revise the plated:G0→S0	Alice	2020/12/08
<span style="color:red">⚠x1</span>	QEC:191104: Revise the Operation Temperature	David	2019/11/13
<span style="color:red">⚠x1</span>	QEC191015:Revise the SPEC,drawing,Dimension	Nick	2019/11/07
REV.	ECN NO. OR DESCRIPTION	REVISED	DATE

禮德精密有限公司  
 Amtek Technology Co., Ltd.  
 TEL: 886-2-2260-6878  
 FAX: 886-2-2260-8030

品名 TITLE	TF Hinge Type				頁數 Page	1/1
品號 PART NO.	<span style="color:red">⚠</span> 5KTFG-08S0NHL01			繪圖 DRAWN	David 2019/10/01	
圖號 DRAWING NO.	GN195-DV338	版本 REV.	E	核對 CHECKED	Josh 2019/10/01	
客戶品號 CUSTOMER P/N		比例 SCALE	None	承認 APPROVED	Josh 2019/10/01	
公差 TOLERANCE	<span style="color:red">⚠</span> .X ± 0.38 .XX ± 0.25	單位 UNIT	mm	THIRD ANGLE PROJECTION		