

SPECIFICATION ⚠

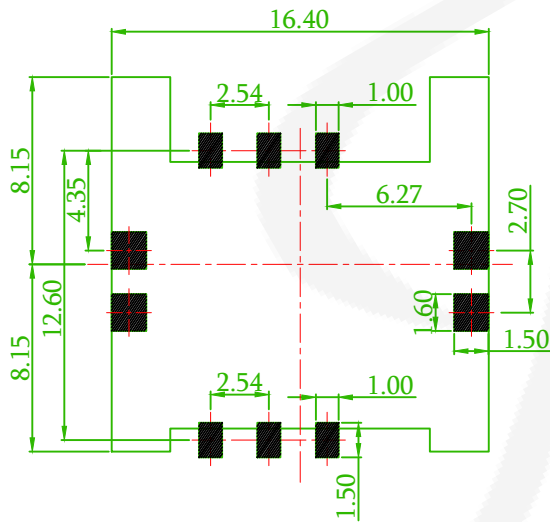
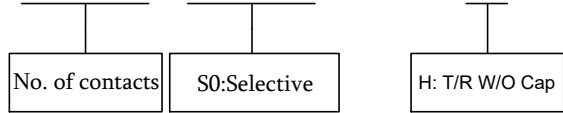
Current Rating: 0.5 AMP
 Insulation Resistance: 100MΩ Min.
 Contact Resistance: 100mΩ Max.
 Dielectric Voltage: 500V AC for one minute

MATERIAL ⚠

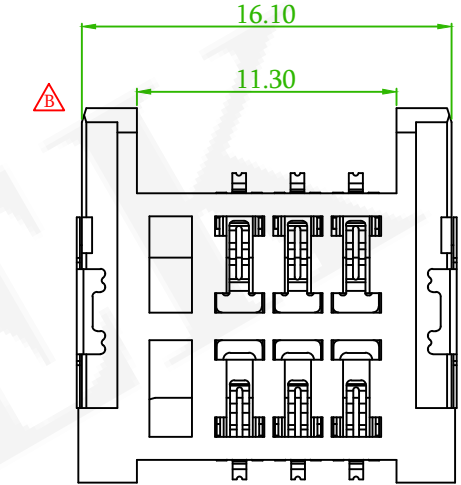
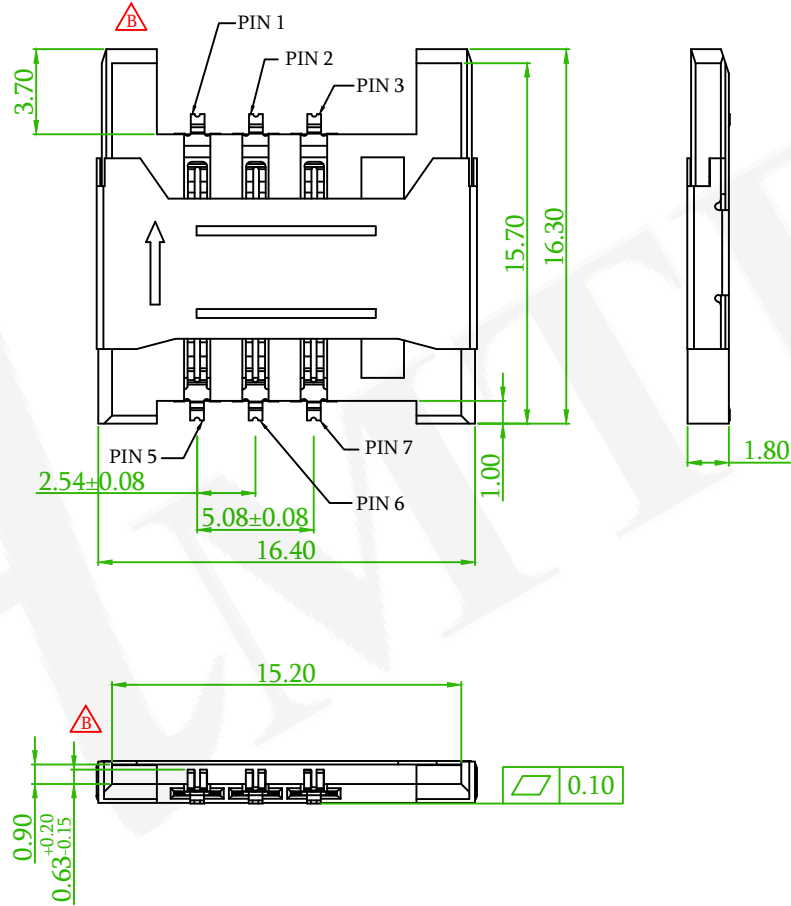
Insulator: LCP, UL 94V-0, Black
 Contact: Phosphor Bronze
 Shell: Stainless Steel

ORDER INFORMATION

5 K S I S - 0 6 S 0 N H L 0 1



⚠ Recommended PCB Layout



PIN NO.	PIN NAME
PIN 1	Supply Voltage Vcc
PIN 2	Resrt(RST)
PIN 3	Clock (CLK)
PIN 5	Ground
PIN 6	Programming Voltage Vpp
PIN 7	I/O
PIN 4/8	N/A



品名 TITLE	Sim Card Push-Pull Type			頁數 Page	1/1
品號 PART NO.	5KSIS-06S0NHL01			繪圖 DRAWN	David 2019/10/01
圖號 DRAWING NO.	GN195-DV339	版本 REV.	B	核對 CHECKED	Josh 2019/10/01
客戶品號 CUSTOMER P/N		比例 SCALE	None	承認 APPROVED	Josh 2019/10/01
公差 TOLERANCE	⚠ .X ± 0.30 .XX ± 0.25	單位 UNIT	mm	THIRD ANGLE PROJECTION	

⚠ x8	QEC NO.:230103 Revise the drawing	Alice	2023/01/19
REV.	ECN NO. OR DESCRIPTION	REVISED	DATE