

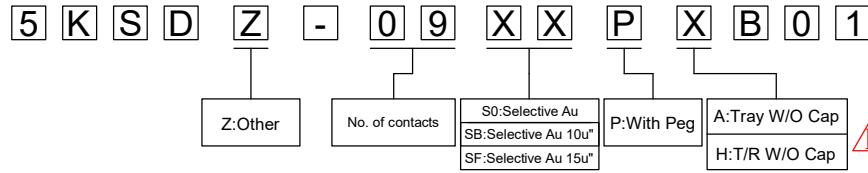
SPECIFICATION

Current Rating: 1 AMP
 Insulation Resistance: 50MΩ Min.
 Contact Resistance: 20mΩ Max.
 Dielectric Voltage: 250V AC for one minute
 Operation Temperature: -55 °C to +85 °C

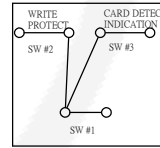
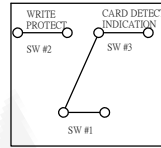
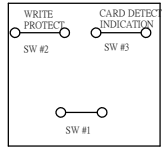
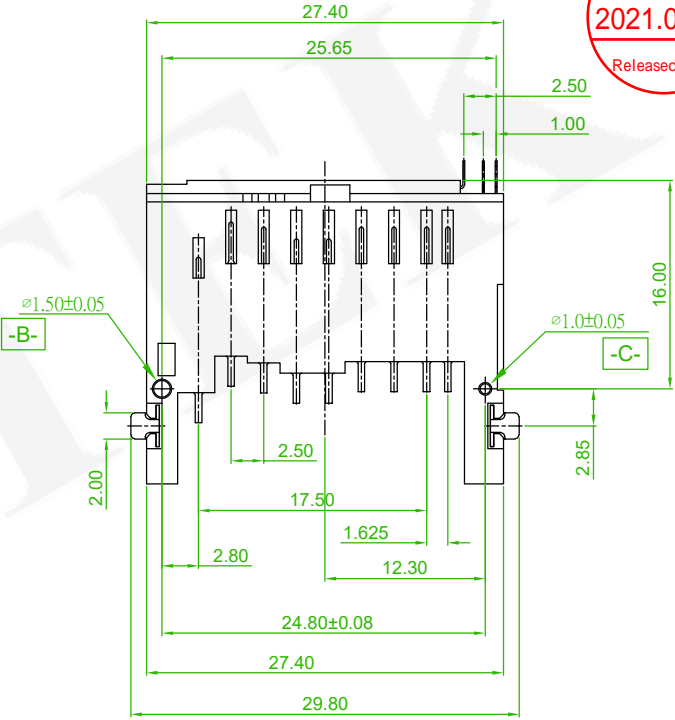
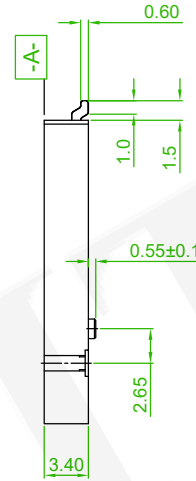
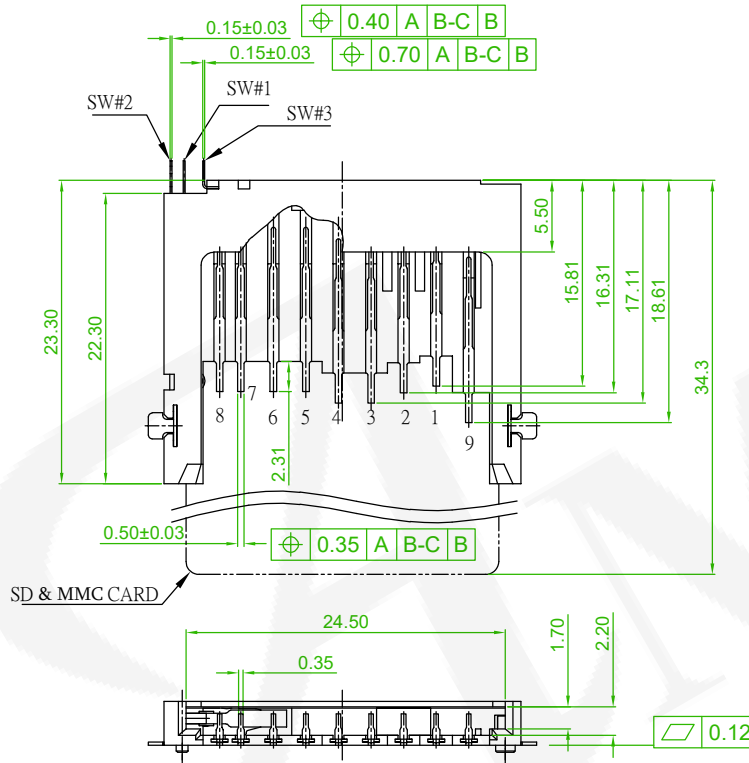
MATERIAL

Insulator: Hi-Temp. Thermoplastic, UL 94V-0
 Contact Pin: Copper Alloy

ORDER INFORMATION



SD CARD PIN ASIGN	
PIN	NAME
1	CD/DAT3
2	CMD/D1
3	VSS1
4	VDD
5	CLK/SCLK
6	VSS2
7	DAT0
8	DAT1
9	DAT2

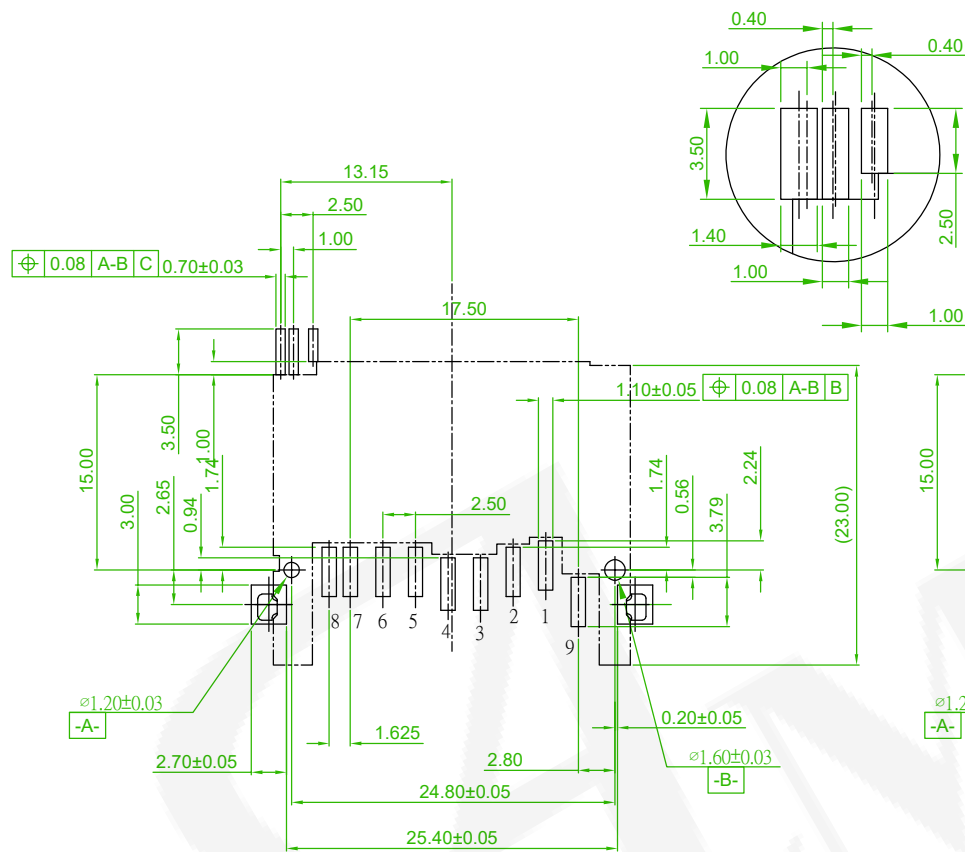


Old P/N: 5SDMN3-09XXA-01
 SDAMB-01201BT10

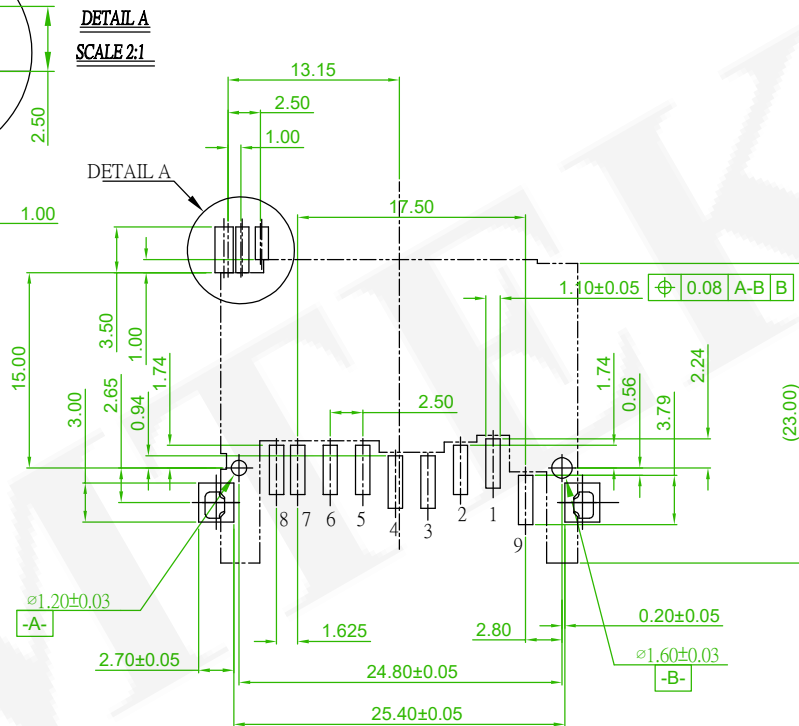
糧德精密有限公司
 Amtek Technology Co., Ltd.
 TEL: 886-2-2260-6878
 FAX: 886-2-2260-8030

品名 TITLE	SD CARD				頁數 Page	1/2
品號 PART NO.	5KSDZ-09XXPB01			繪圖 DRAWN	Gary 2016/12/22	
圖號 DRAWING NO.	GW066-GA058	版本 REV.	B	核對 CHECKED	Jonny 2016/12/22	
客戶品號 CUSTOMER P/N		比例 SCALE	None	承認 APPROVED	Aaron 2016/12/22	
公差 TOLERANCE	.X±0.30 .XX±0.20	.X°±3°	單位 UNIT	mm	THIRD ANGLE PROJECTION	

REV.	Add a packaging: H:T/R W/O Cap	B	2017/03/09 Gary
	ECN NO. OR DESCRIPTION	REVISED	DATE

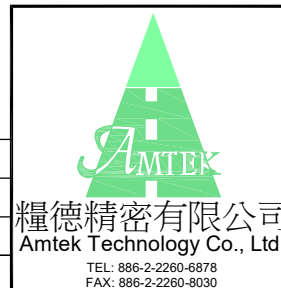


PC BOARD LAYOUT COMPONENT SIDE



PC BOARD LAYOUT COMPONENT SIDE

Old P/N: 5SDMN3-09XXA-01
SDAMB-01201BT10



品名 TITLE	SD CARD				頁數 Page	2/2
品號 PART NO.	5KSDZ-09XXPB01			繪圖 DRAWN	Gary 2016/12/22	
圖號 DRAWING NO.	GW066-GA058		版本 REV.	B	核對 CHECKED	Jonny 2016/12/22
客戶品號 CUSTOMER P/N			比例 SCALE	None	承認 APPROVED	Aaron 2016/12/22
公差 TOLERANCE	.X±0.30	.XX±0.20	單位 UNIT	mm	THIRD ANGLE PROJECTION	

REV.	Add a packaging: H:T/R W/O Cap	B	2017/03/09 Gary
	ECN NO. OR DESCRIPTION	REVISED	DATE