


MATERIAL:   
 INSULATOR : PP UL94HB  
 SCREW: STEEL  
 FINISHED : CHROMATE PLATED

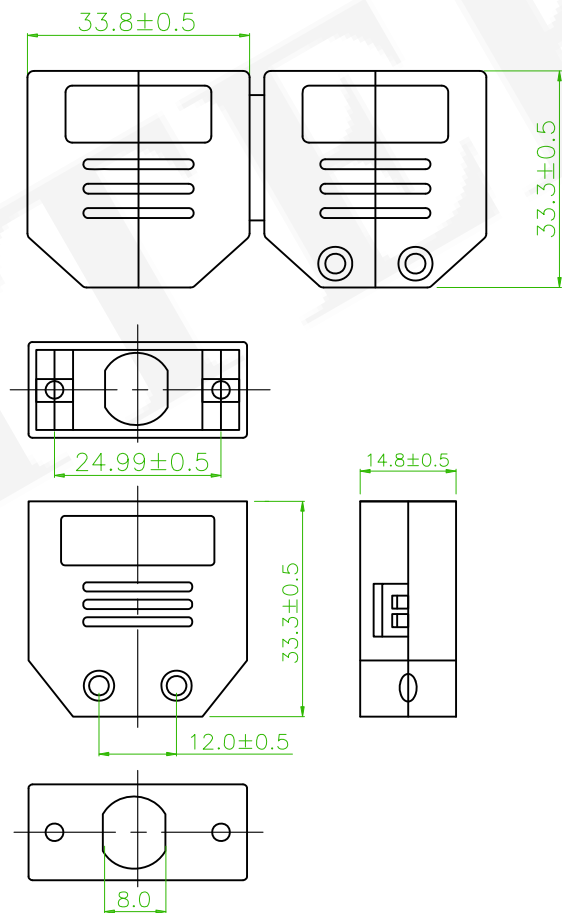
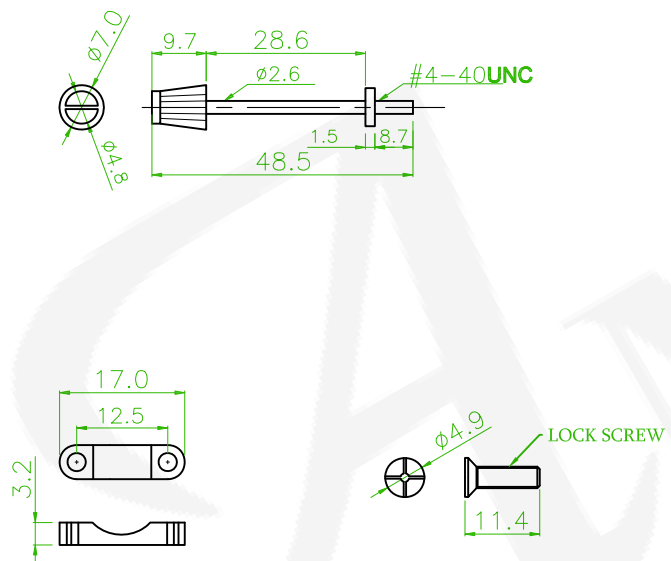
### ORDER INFORMATION

5 H D 1 2 1 P N - 0 9 B S A 1




P:PP    No.of Contacts    B:Black    S:Single Package





AMTEK 糧德  
 2019.12.12  
 Released DCC



Old P/N:HOOD121-09-L

	ECN-191112 Add the SPEC	Nick	2019/12/12
	Revise the P/N:5HD121PN-XXBSA1->5HD121PN09BSA1	Roy	2019/01/22
	Add the 50Pin	Mia	2017/09/14
REV.	ECN NO. OR DESCRIPTION	REVISED	DATE

 糧德精密有限公司 Amtek Technology Co., Ltd. TEL: 886-2-2260-6878 FAX: 886-2-2260-8030	品名 TITLE	HOOD 121 09Pin				頁數 Page	1/1
	品號 PART NO.	 5HD121PN-09BSA1			繪圖 DRAWN	Roy 2016/10/19	
	圖號 DRAWING NO.	GW001-MC650	版本 REV.	D	核對 CHECKED	Josh 2019/01/22	
	客戶品號 CUSTOMER P/N		比例 SCALE	None	承認 APPROVED	Josh 2019/01/22	
	公差 TOLERANCE	.X ± 0.30 .XX ± 0.20	.X° ± 1°	單位 UNIT	mm	THIRD ANGLE PROJECTION	