
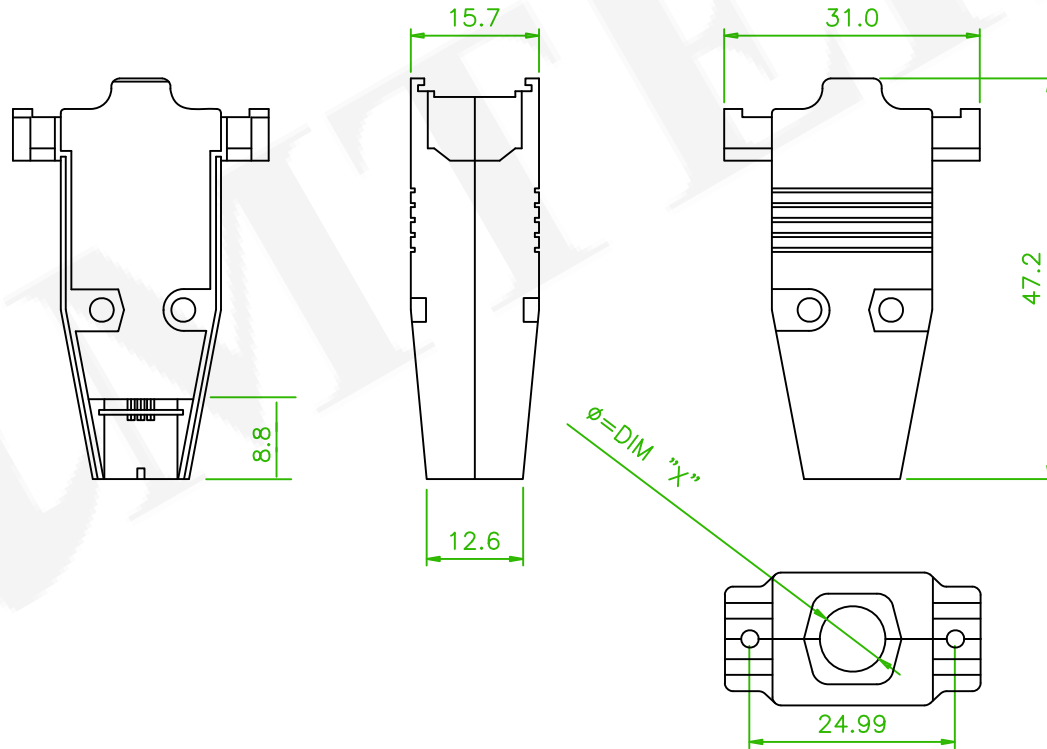
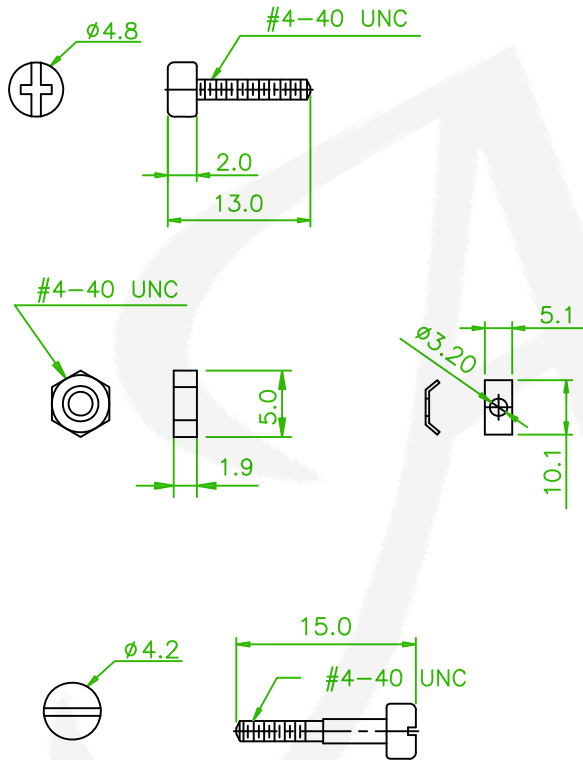
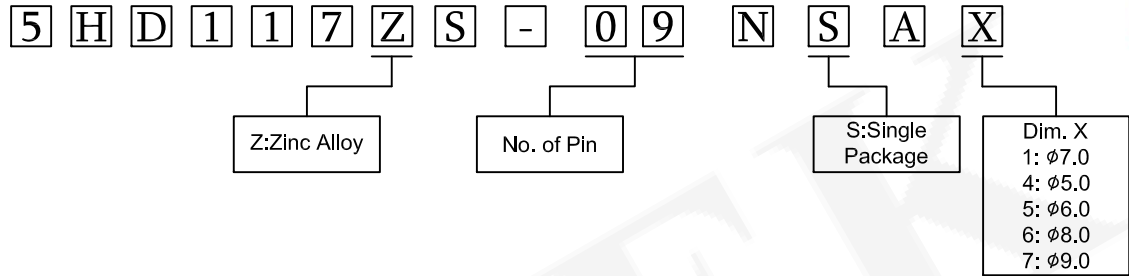




NOTE: 
 MATERIAL: zinc alloy
 SCREW: STEEL
 FINISHED: chromate plated

ORDER INFORMATION



 x1	ECN-191112 Add the SPEC	Nick	2019/12/12
REV.	ECN NO. OR DESCRIPTION	REVISED	DATE

 糧德精密有限公司 Amtek Technology Co., Ltd. TEL: 886-2-2260-6878 FAX: 886-2-2260-8030	品名 TITLE	HOOD 117 9P				頁數 Page	1/1
	品號 PART NO.	5HD117ZS-09NSAX			繪圖 DRAWN	Gary 2019/01/29	
	圖號 DRAWING NO.	GW001-GB815	版本 REV.	B	核對 CHECKED	Josh 2019/01/29	
	客戶品號 CUSTOMER P/N		比例 SCALE	None	承認 APPROVED	Josh 2019/01/29	
	公差 TOLERANCE	.X ± 0.50 .XX ± 0.20	.X° ± 5°	單位 UNIT	mm	THIRD ANGLE PROJECTION	