

SPECIFICATION 

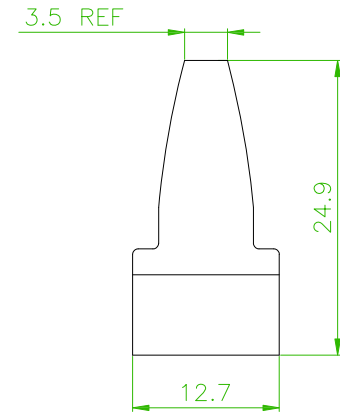
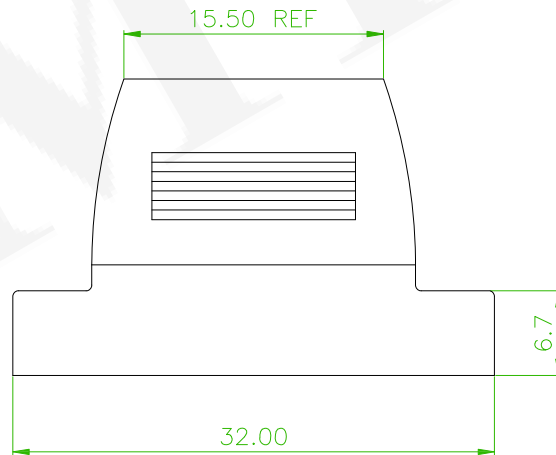
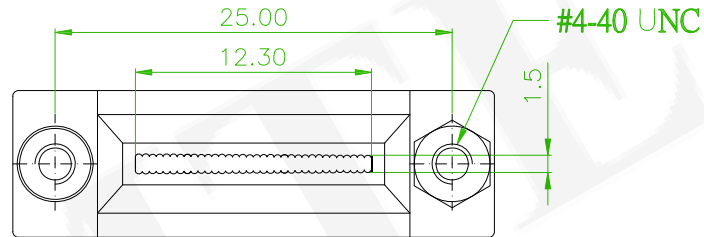
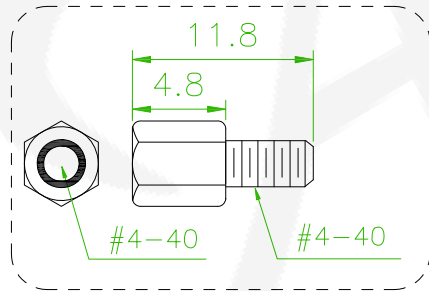
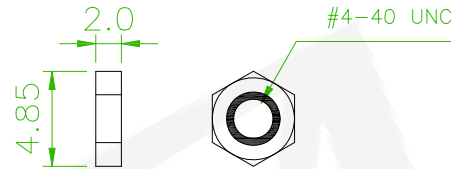
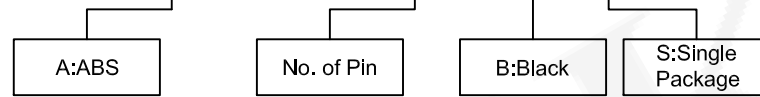
MATERIAL:



Insulator: ABS UL94HB


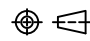
Screw: Brass NUT: Steel

ORDER INFORMATION

5 H D 1 1 5 A N - 0 9 B S A 1



REV.	ECN NO. OR DESCRIPTION	REVISED	DATE
 x1	ECN-191112 Add the SPEC	Nick	2019/12/05
	Revise the drawing	Eric	2019/01/24

 禮德精密有限公司 Amtek Technology Co., Ltd. TEL: 886-2-2260-6878 FAX: 886-2-2260-8030	品名 TITLE	Hood 115 09P			頁數 Page	1/1
	品號 PART NO.	5HD115AN-09BSA1			繪圖 DRAWN	Roy
	圖號 DRAWING NO.	GW001-RR761	版本 REV.	C	核對 CHECKED	Josh
	客戶品號 CUSTOMER P/N		比例 SCALE	None	承認 APPROVED	Jason
	公差 TOLERANCE	.X ± 0.30	單位 UNIT	mm	THIRD ANGLE PROJECTION	
		.XX ± 0.20				