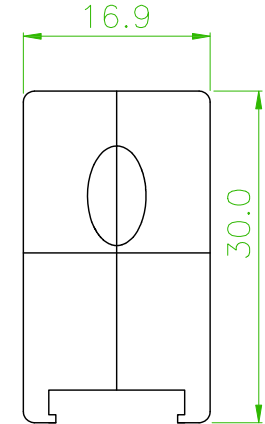
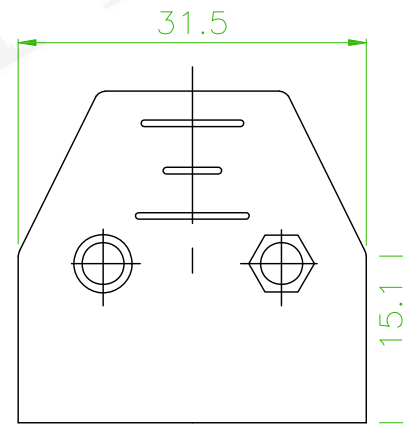
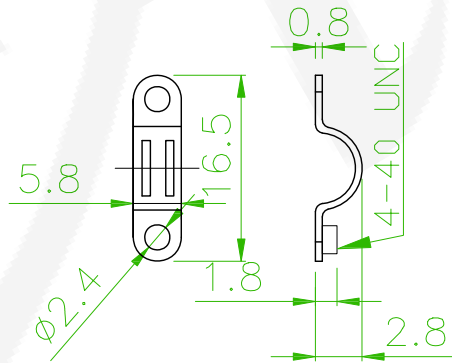
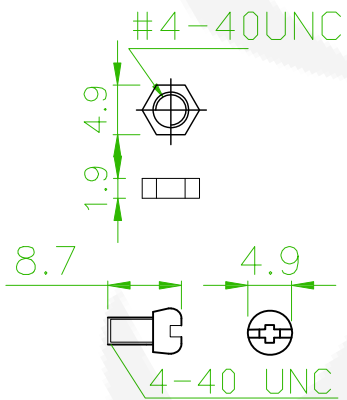
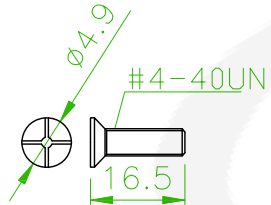
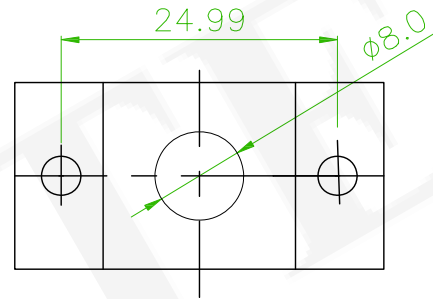
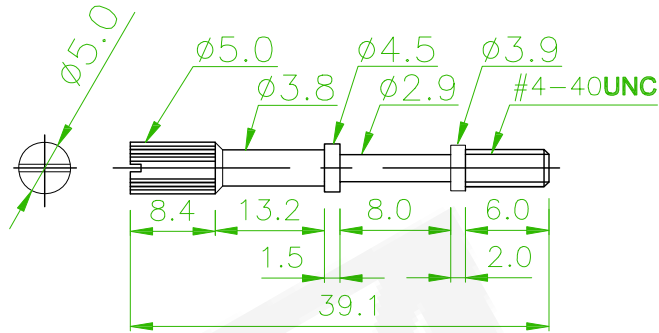
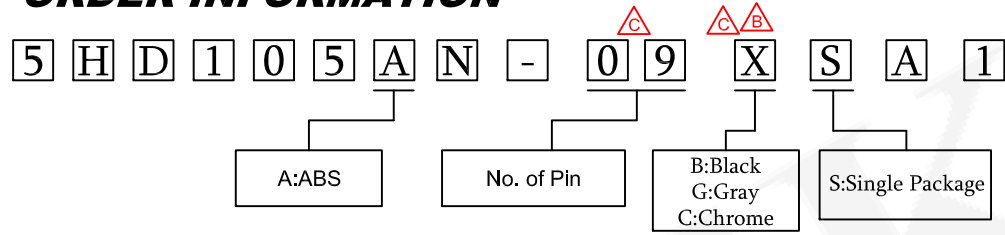




MATERIAL:
 INSULATOR : ABS UL94HB
 SCREW: STEEL
 FINISHED : CHROMATE PLATED

ORDER INFORMATION



Old P/N:HOOD105-XX-L

	x1	ECN NO.:191112, Add: Material	David	2019/12/11
	C	Revise the P/N: 5HD105AN-XXXSA1 -> 5HS105AN-09XSA1	Eric	2019/01/23
	Bx2	Add the Color:Chrome	Mia	2018/09/20
REV.		ECN NO. OR DESCRIPTION	REVISED	DATE

 糧德精密有限公司 Amtek Technology Co., Ltd. TEL: 886-2-2260-6878 FAX: 886-2-2260-8030	品名 TITLE	HOOD 105 9Pin			頁數 Page	1/4	
	品號 PART NO.	5HD105AN-09BSA1		繪圖 DRAWN	Kilin 2017/10/16		
	圖號 DRAWING NO.	GW001-KL156	版本 REV.	D	核對 CHECKED	Josh 2019/01/23	
	客戶品號 CUSTOMER P/N		比例 SCALE	None	承認 APPROVED	Josh 2019/01/23	
	公差 TOLERANCE	.X ± 0.3 .XX ± 0.2	單位 UNIT	mm	THIRD ANGLE PROJECTION		