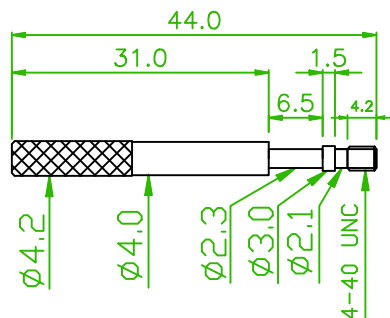
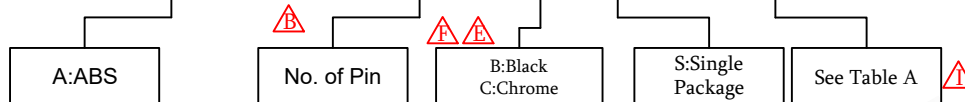




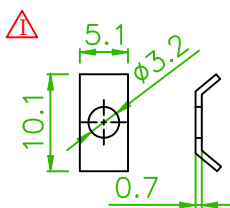
ORDER INFORMATION

MATERIAL:
 INSULATOR : ABS UL94HB
 SCREW: STEEL
 FINISHED : CHROMATE PLATED

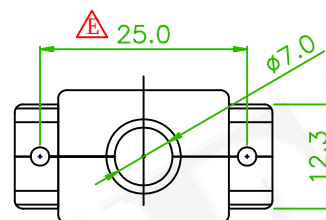
5 H D 1 0 2 A N - 0 9 X S A X



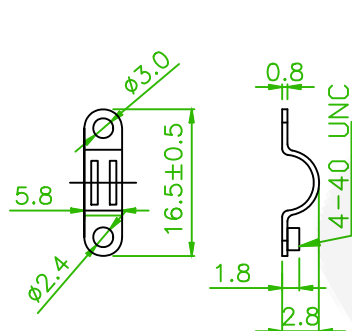
(A)Thumbscrews



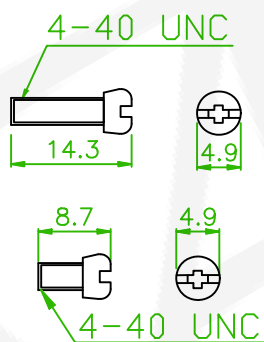
(E)Washer



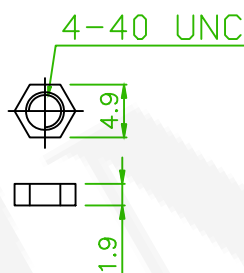
AMTEK 耀德
 2022.10.13
 Released DCC



(B)Retainer



(C)Screw



(D)Nut

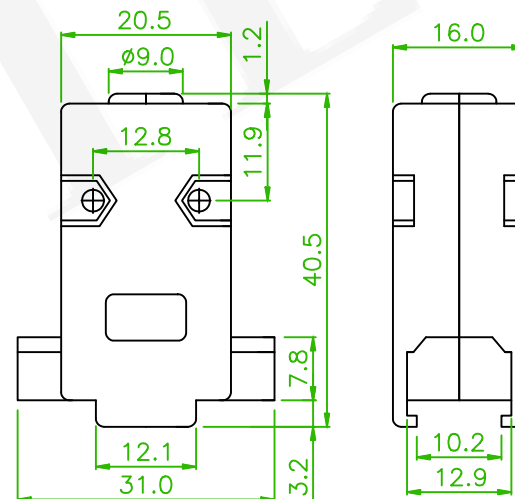


Table A

Part No.	Accachment
5HD102AN-09XSA1	A+B+C+D
5HD102AN-09XSA3	A+B+C+D+E

Old P/N:HOOD102-XX-L

 耀德精密有限公司 Amtek Technology Co., Ltd. TEL: 886-2-2260-6878 FAX: 886-2-2260-8030	品名 TITLE	Hood 102 09P				頁數 Page	1/1
	品號 PART NO.	5HD102AN-09XSAX			繪圖 DRAWN	Roy 2016/05/19	
	圖號 DRAWING NO.	GW001-MD147		版本 REV.	J	核對 CHECKED	Josh 2019/01/22
	客戶品號 CUSTOMER P/N			比例 SCALE	None	承認 APPROVED	Josh 2019/01/22
	公差 TOLERANCE	.X ± 0.30	.X° ± 1°	單位 UNIT	mm	THIRD ANGLE PROJECTION	
		.XX ± 0.20					

REV.	ECN NO. OR DESCRIPTION	REVISED	DATE
x1	ECN NO.:220925, Revise the Table A	Tim	2022/10/06
x3	Add the Washer Accessories	Benson	2021/05/26
x1	ECN NO.:191112, Add: Material	David	2019/12/11