

MATERIAL:

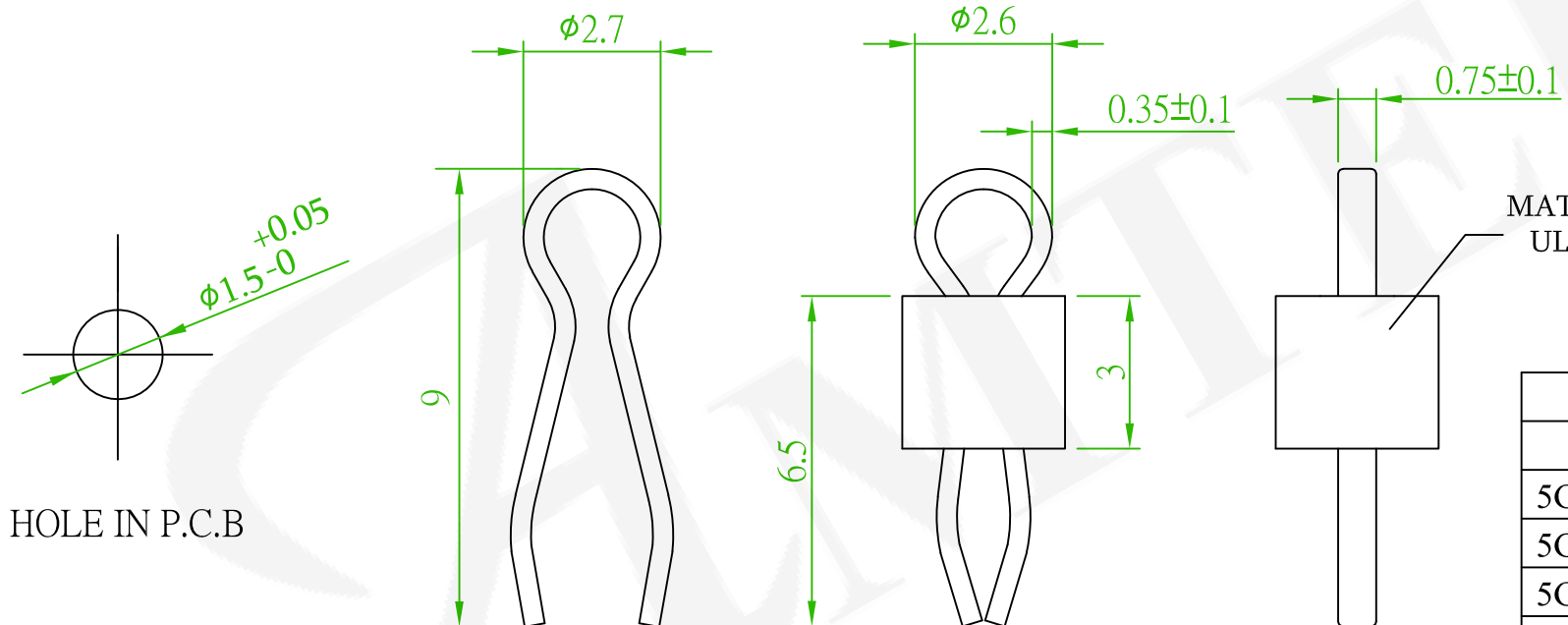
1.PHOSPHER BRONZE

ORDER INFORMATION

5 G T K - 0 0 4 T 0 - A X

T0: Tin Plated

See Table1



MATERIAL: PBT
UL94V-0+GF

Table1	
PART NO.	COLOR
5GTK-004T0-A1	NATURAL
5GTK-004T0-A2	BLUE
5GTK-004T0-A3	RED
5GTK-004T0-A4	GREEN
5GTK-004T0-A5	BLACK
5GTK-004T0-A6	WHITE
5GTK-004T0-A7	YELLOW

HOLE IN P.C.B

RoHS Compliant	
★Pb	<1000PPM
★Cd	< 100PPM
★Hg	<1000PPM
★Cr6+	<1000PPM
★PBBs	<1000PPM
★PBDEs	<1000PPM

糧德精密有限公司
Amtek Technology Co., Ltd.
TEL: 886-2-2260-6878
FAX: 886-2-2260-8030

品名 TITLE	P.C.B Terminal			頁數 Page	1/1
品號 PART NO.	5GTK-004T0-AX			繪圖 DRAWN	David 2020/01/10
圖號 DRAWING NO.	GW018-DV721	版本 REV.	A	核對 CHECKED	Josh 2020/01/10
客戶品號 CUSTOMER P/N		比例 SCALE	None	承認 APPROVED	Josh 2020/01/10
公差 TOLERANCE	±0.30	單位 UNIT	mm	THIRD ANGLE PROJECTION	

REV.	ECN NO. OR DESCRIPTION	REVISED	DATE