

MATERIAL:

1.BRASS

ORDER INFORMATION

5 G B T - 0 0 1 X X - A X

◎:Standard Recommend

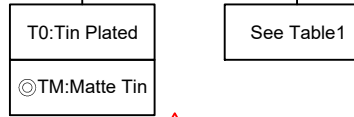
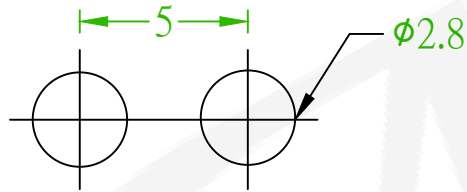
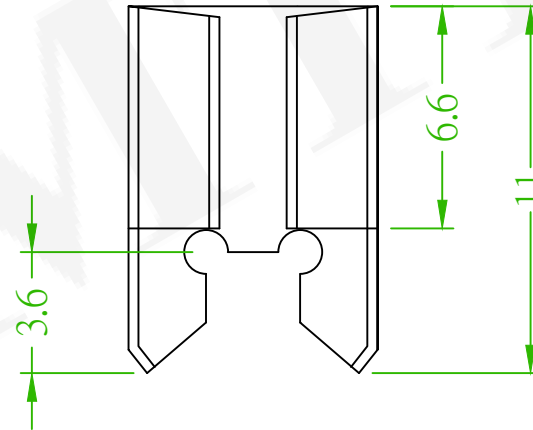
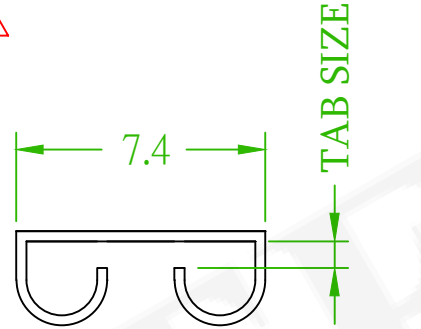


Table 1	
PART NO.	TAB SIZE
5GBT-001XX-A1	0.5x6.35
5GBT-001XX-A2	0.8x6.35



MOUNTING HOLE THICKNESS: 0.4mm



RoHS Compliant	
★ Pb	<1000PPM
★ Cd	< 100PPM
★ Hg	<1000PPM
★ Cr6+	<1000PPM
★ PBBs	<1000PPM
★ PBDEs	<1000PPM

糧德精密有限公司
Amtek Technology Co., Ltd.
TEL: 886-2-2260-6878
FAX: 886-2-2260-8030

品名 TITLE	P.C.B Terminal				頁數 Page	1/1
品號 PART NO.	5GBT-001XX-AX			繪圖 DRAWN	David 2020/01/08	
圖號 DRAWING NO.	GW018-DV704	版本 REV.	B	核對 CHECKED	Josh 2020/01/08	
客戶品號 CUSTOMER P/N		比例 SCALE	None	承認 APPROVED	Josh 2020/01/08	
公差 TOLERANCE	±0.20	單位 UNIT	mm	THIRD ANGLE PROJECTION		

REV.	ECN NO. OR DESCRIPTION	REVISED	DATE
△	QEC NO.:231104 Revise the Plating Options	Gaby	2023/12/12