

**MATERIAL:**

1. BRASS

**NOTE:**

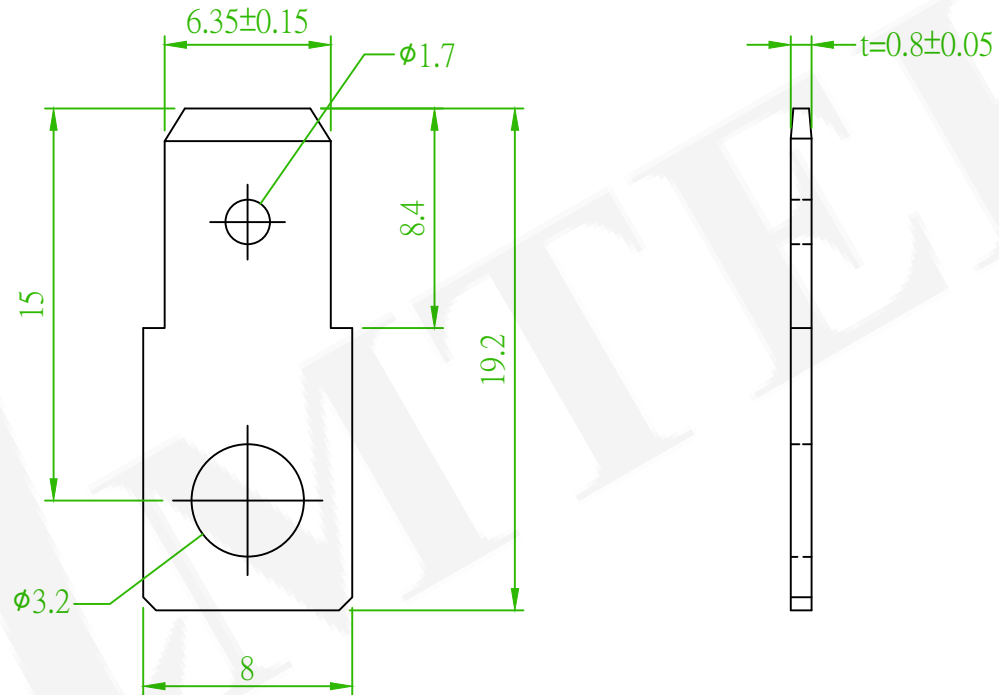
- 1. BEST USE DATE FOR TIN PLATED PARTS ARE WITHIN THREE MONTHS SINCE MFG DATE.
- 2. FINISH: TIN PLATED. IF PARTS ARE NOT USED UP PLEASE STORE IN A SEAL BAG.

**ORDER INFORMATION**

5 G B S - 0 1 1 X X - A 1

◎:Standard Recommend

T0: Tin Plated  
◎TM: Matte Tin



RoHS Compliant	
★ Pb	<1000PPM
★ Cd	< 100PPM
★ Hg	<1000PPM
★ Cr6+	<1000PPM
★ PBBs	<1000PPM
★ PBDEs	<1000PPM

<p>糧德精密有限公司 Amtek Technology Co., Ltd. TEL: 886-2-2260-6878 FAX: 886-2-2260-8030</p>	品名 TITLE	P.C.B Terminal			頁數 Page	1/1
	品號 PART NO.	5GBS-011XX-A1			繪圖 DRAWN	David 2020/01/03
	圖號 DRAWING NO.	GW018-DV612	版本 REV.	B	核對 CHECKED	Josh 2020/01/03
	客戶品號 CUSTOMER P/N		比例 SCALE	None	承認 APPROVED	Josh 2020/01/03
	公差 TOLERANCE	±0.3	單位 UNIT	mm	THIRD ANGLE PROJECTION	

△	QEC NO.:231104 Revise the Plating Options	Gaby	2023/12/11
REV.	ECN NO. OR DESCRIPTION	REVISED	DATE