

MATERIAL

Contact Pin: Brass

NOTE:

- BEST USE DATE FOR NICKEL PLATED PARTS ARE WITHIN 6 MONTHS SINCE MFG DATE.
- FINISH: NICKEL PLATED. IF PARTS ARE NOT USED UP PLEASE STORE IN A SEAL BAG.

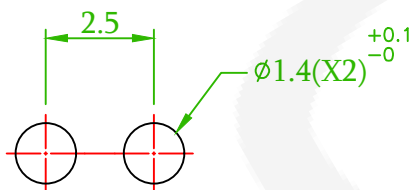
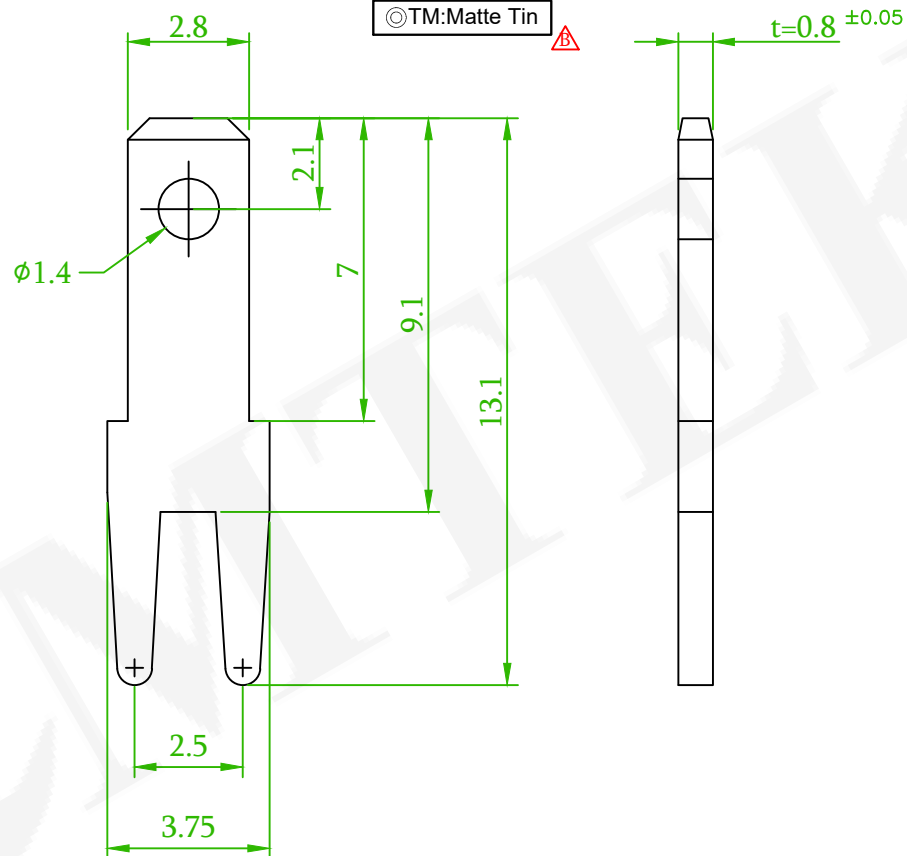
ORDER INFORMATION

5 G B S - 0 0 1 X X - A 1

◎:Standard Recommend


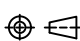
T0: Tin Plated

◎TM: Matte Tin



MOUNTING HOLE

(RoHS Compliant)	
Pb	<1000PPM
Cd	< 100PPM
Hg	<1000PPM
Cr6+	<1000PPM
PBBs	<1000PPM
PBDEs	<1000PPM

 糧德精密有限公司 Amtek Technology Co., Ltd. TEL: 886-2-2260-6878 FAX: 886-2-2260-8030	品名 TITLE	P.C.B Terminal			頁數 Page	1/1
	品號 PART NO.	5GBS-001XX-A1			繪圖 DRAWN	Benson 2020/01/08
	圖號 DRAWING NO.	GW018-BS736	版本 REV.	B	核對 CHECKED	Josh 2020/01/08
	客戶品號 CUSTOMER P/N		比例 SCALE	None	承認 APPROVED	Josh 2020/01/08
	公差 TOLERANCE	±0.3	單位 UNIT	mm	THIRD ANGLE PROJECTION	

△	QEC NO.:231104 Revise the Plating Options	Gaby	2023/12/08
REV.	ECN NO. OR DESCRIPTION	REVISED	DATE