

MATERIAL

Contact Pin: Brass

NOTE

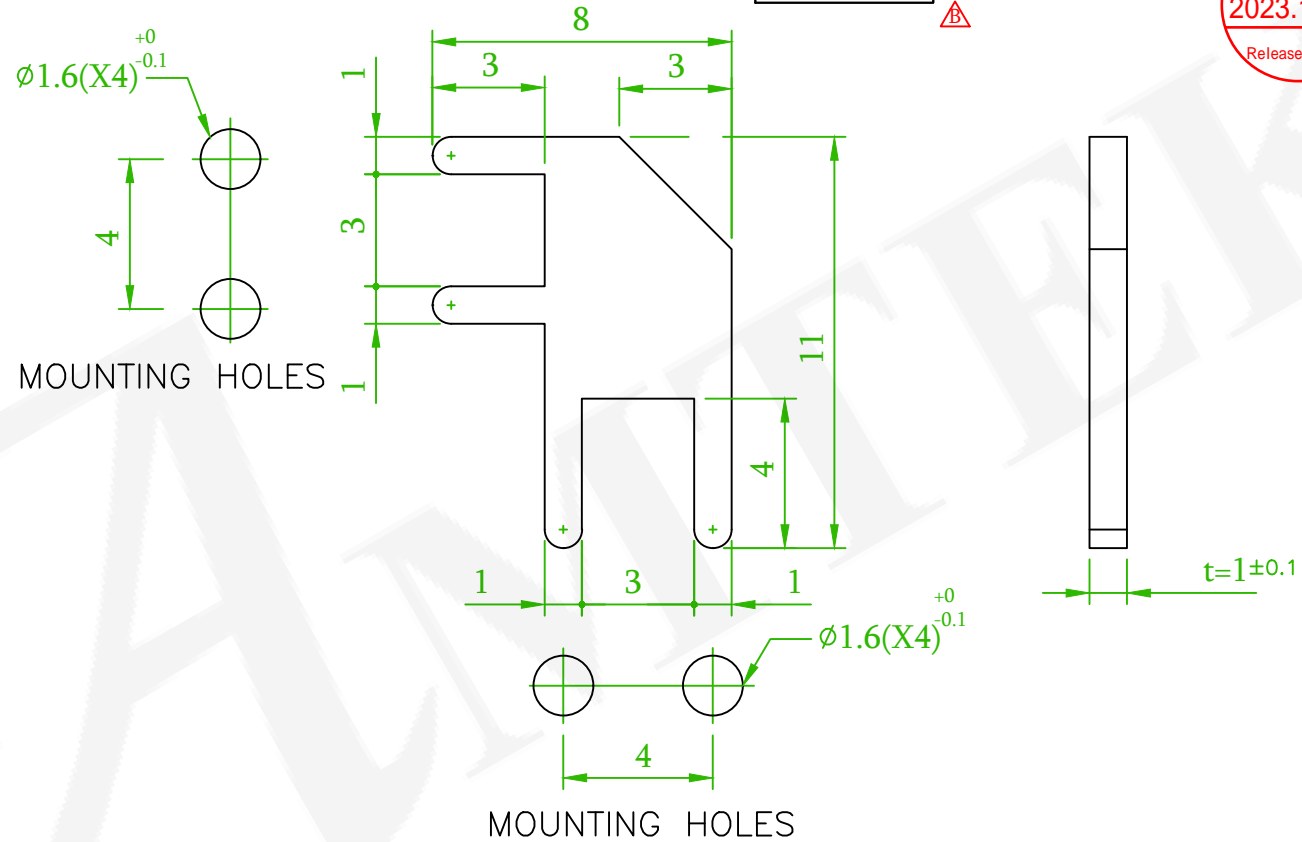
1. THE BEST USE TIME OF TIN PLATING PARTS ARE WITHIN 3 MONTHS SINCE MFG DATE.
2. FINISH TIN PLATED. IF PARTS ARE NOT USED UP PLEASE STORE IN A SEAL BAG.

ORDER INFORMATION

5 G B R - 0 0 5 X X - A 1

◎:Standard Recommend

T0: Tin Plated
◎TM: Matte Tin



(RoHS Compliant)	
Pb	<1000PPM
Cd	< 100PPM
Hg	<1000PPM
Cr6+	<1000PPM
PBBs	<1000PPM
PBDEs	<1000PPM

糧德精密有限公司
Amtek Technology Co., Ltd.
TEL: 886-2-2260-6878
FAX: 886-2-2260-8030

品名 TITLE	P.C.B Terminal				頁數 Page	1/1
品號 PART NO.	5GBR-005XX-A1			繪圖 DRAWN	Benson 2020/01/08	
圖號 DRAWING NO.	GW018-BS730	版本 REV.	B	核對 CHECKED	Josh 2020/01/08	
客戶品號 CUSTOMER P/N		比例 SCALE	None	承認 APPROVED	Josh 2020/01/08	
公差 TOLERANCE	±0.2	單位 UNIT	mm	THIRD ANGLE PROJECTION		

REV.	ECN NO. OR DESCRIPTION	REVISED	DATE
△	QEC NO.:231104 Revise the Plating Options	Gaby	2023/12/08