

**MATERIAL**

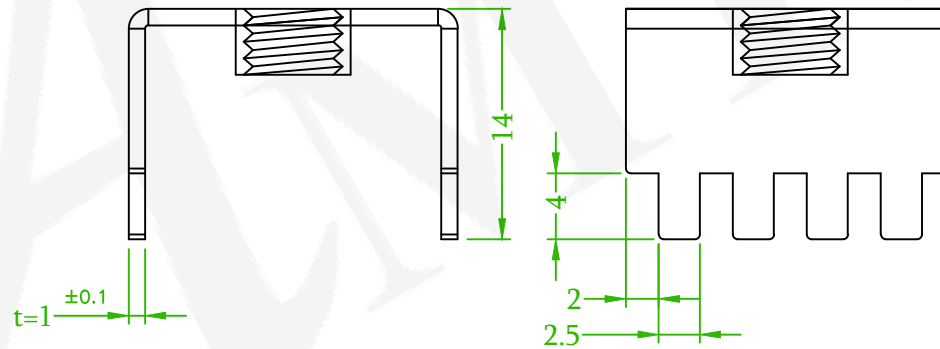
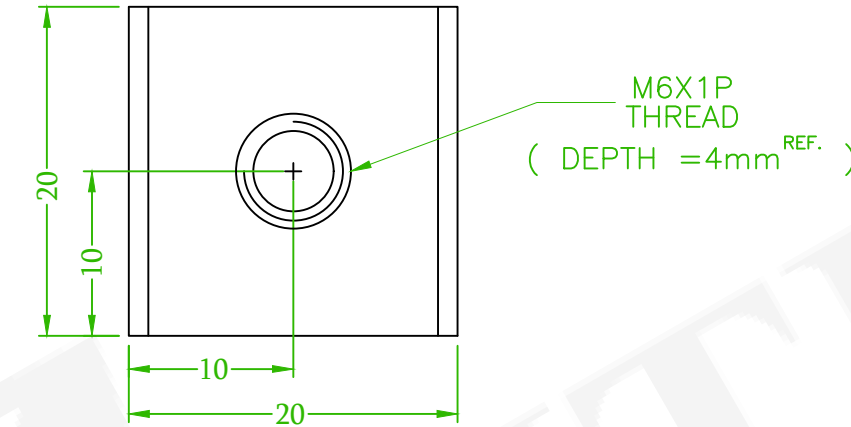
Contact Pin:Copper

**ORDER INFORMATION**

5 G B M - 0 3 3 X X - A 1

◎:Standard Recommend

T0:Tin Plated  
◎TM:Matte Tin



(RoHS Compliant)	
Pb	<1000PPM
Cd	< 100PPM
Hg	<1000PPM
Cr6+	<1000PPM
PBBs	<1000PPM
PBDEs	<1000PPM

NOTE:1. THE BEST USE TIME OF TIN PLATING PARTS ARE WITHIN 5 MONTHS SINCE MFG DATE.  
2. FINISH: TIN PLATED. IF PARTS ARE NOT USED UP PLEASE STORE IN A SEAL BAG.

<p>耀德精密有限公司 Amtek Technology Co., Ltd. TEL: 886-2-2260-6878 FAX: 886-2-2260-8030</p>	品名 TITLE	P.C.B Terminal			頁數 Page	1/1	
	品號 PART NO.	5GBM-033XX-A1		繪圖 DRAWN	Benson 2019/12/30		
	圖號 DRAWING NO.	GW018-BS621	版本 REV.	B	核對 CHECKED	Josh 2019/12/30	
	客戶品號 CUSTOMER P/N		比例 SCALE	None	承認 APPROVED	Josh 2019/12/30	
	公差 TOLERANCE	±0.2	單位 UNIT	mm	THIRD ANGLE PROJECTION		

REV.	ECN NO. OR DESCRIPTION	REVISED	DATE
	QEC NO.:231104 Revise the Plating Options	Gaby	2023/11/28