

MATERIAL

Contact Pin:Steel

NOTE

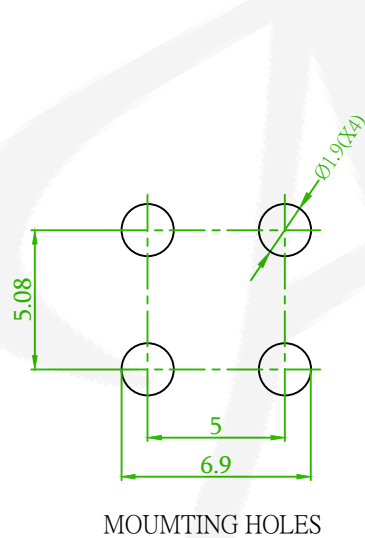
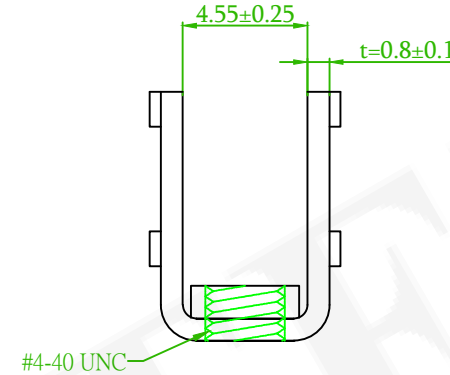
- 1.THE BEST USE TIME OF TIN PLATING PARTS ARE WITHIN 3 MONTHS SINCE MFG DATE.
- 2.FINISH: TIN PLATED. IF PARTS ARE NOT USED UP PLEASE STORE IN A SEAL BAG.

ORDER INFORMATION

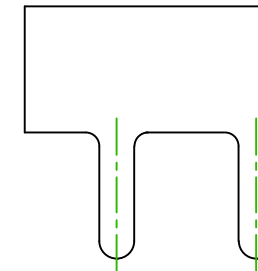
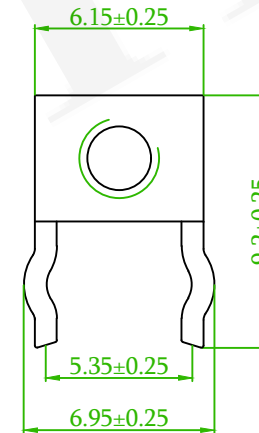
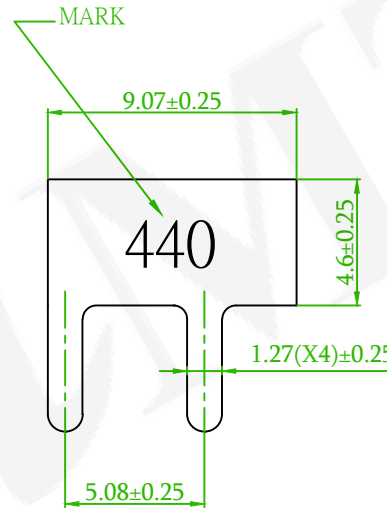
5 G B M - 0 2 3 X X - A 1

◎:Standard Recommend

T0: Tin Plated
◎TM: Matte Tin



MOUMTING HOLES



(RoHS Compliant)	
★ Pb	<1000PPM
★ Cd	< 100PPM
★ Hg	<1000PPM
★ Cr6+	<1000PPM
★ PBBs	<1000PPM
★ PBDEs	<1000PPM

糧德精密有限公司
Amtek Technology Co., Ltd.
TEL: 886-2-2260-6878
FAX: 886-2-2260-8030

品名 TITLE	P.C.B TERMINAL				頁數 Page	1/1
	品號 PART NO.	5GBM-023XX-A1			繪圖 DRAWN	Nick
圖號 DRAWING NO.	GW018-NI723	版本 REV.	B	核對 CHECKED	Josh	2019/12/31
客戶品號 CUSTOMER P/N		比例 SCALE	None	承認 APPROVED	Josh	2019/12/31
公差 TOLERANCE		單位 UNIT	mm	THIRD ANGLE PROJECTION		

QEC NO.:231104 Revise the Plating Options

Gaby

2023/11/27

REV. ECN NO. OR DESCRIPTION

REVISED

DATE