

MATERIAL

Contact Pin: Brass

NOTE

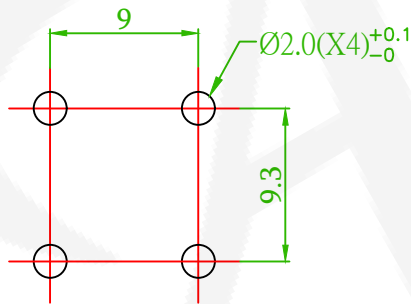
SCREW / FULL SET ASSEMBLED

ORDER INFORMATION

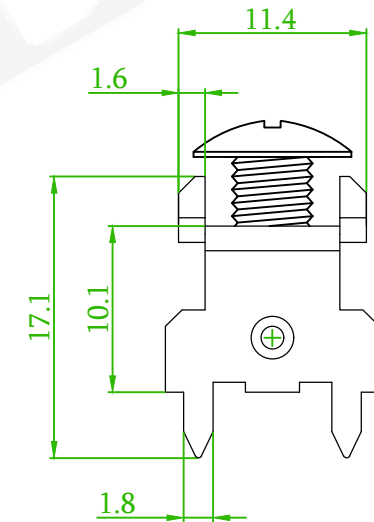
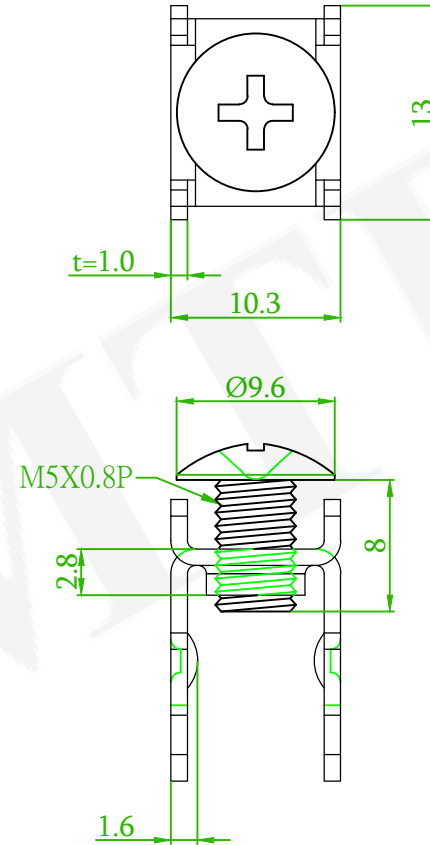
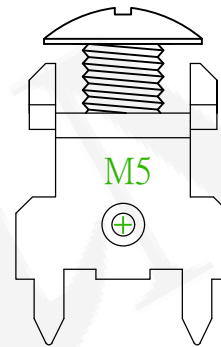
5 G B M - 0 2 1 X X - A 1

◎: Standard Recommend

T0: Tin Plated
 ◎TM: Matte Tin



MOUNTING HOLE



(RoHS Compliant)

★ Pb	<1000PPM
★ Cd	< 100PPM
★ Hg	<1000PPM
★ Cr6+	<1000PPM
★ PBBs	<1000PPM
★ PBDEs	<1000PPM

糧德精密有限公司
 Amtek Technology Co., Ltd.
 TEL: 886-2-2260-6878
 FAX: 886-2-2260-8030

品名 TITLE	P.C.B TERMINAL				頁數 Page	1/1
品號 PART NO.	5GBM-021XX-A1			繪圖 DRAWN	Nick 2019/12/31	
圖號 DRAWING NO.	GW018-NI721	版本 REV.	B	核對 CHECKED	Josh 2019/12/31	
客戶品號 CUSTOMER P/N		比例 SCALE	None	承認 APPROVED	Josh 2019/12/31	
公差 TOLERANCE	±0.3	單位 UNIT	mm	THIRD ANGLE PROJECTION		

REV.	ECN NO. OR DESCRIPTION	REVISED	DATE
△	QEC NO.:231104 Revise the Plating Options	Gaby	2023/11/27