

# MATERIAL

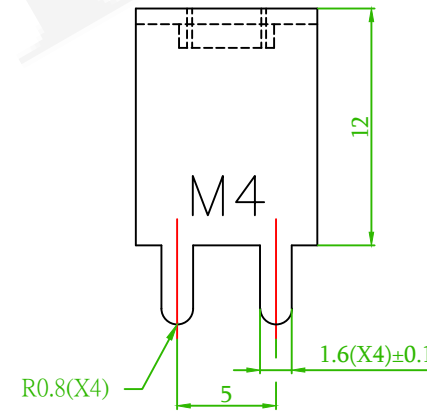
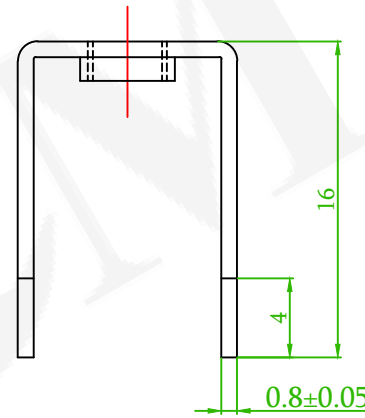
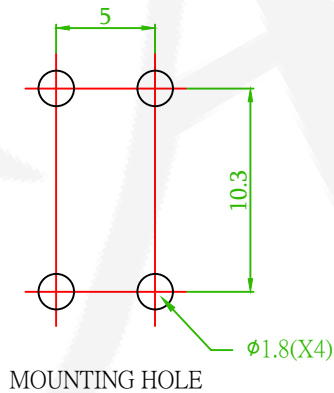
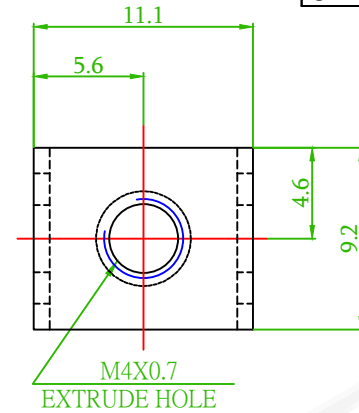
Contact Pin:Brass

# ORDER INFORMATION

5 G B M - 0 1 7 X X - A 1


◎:Standard Recommend

T0: Tin Plated  
◎TM: Matte Tin

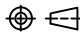


(RoHS Compliant)

★ Pb	<1000PPM
★ Cd	< 100PPM
★ Hg	<1000PPM
★ Cr6+	<1000PPM
★ PBBs	<1000PPM
★ PBDEs	<1000PPM



耀德精密有限公司  
Amtek Technology Co., Ltd.  
TEL: 886-2-2260-6878  
FAX: 886-2-2260-8030

品名 TITLE	P.C.B TERMINAL				頁數 Page	1/1
品號 PART NO.	5GBM-017XX-A1			繪圖 DRAWN	Nick 2019/12/31	
圖號 DRAWING NO.	GW018-NI709	版本 REV.	B	核對 CHECKED	Josh 2019/12/31	
客戶品號 CUSTOMER P/N		比例 SCALE	None	承認 APPROVED	Josh 2019/12/31	
公差 TOLERANCE		單位 UNIT	mm	THIRD ANGLE PROJECTION		

REV.	QEC NO.:231104 Revise the Plating Options	Gaby	2023/11/27
	ECN NO. OR DESCRIPTION	REVISED	DATE