

# MATERIAL

Contact Pin: Brass

# ORDER INFORMATION

5 G B M - 0 0 8 X X - A X

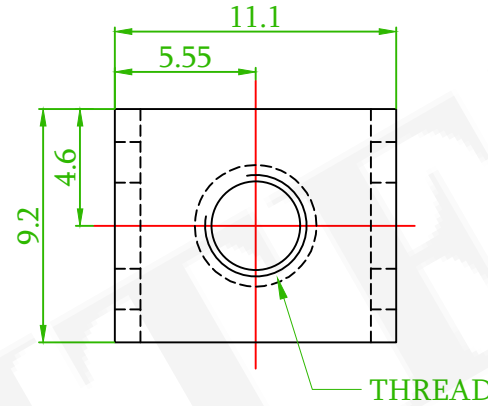
◎:Standard Recommend

T0: Tin Plated  
 ◎TM: Matte Tin

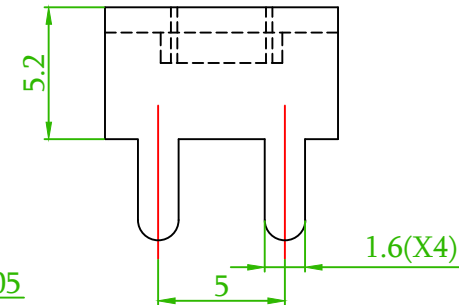
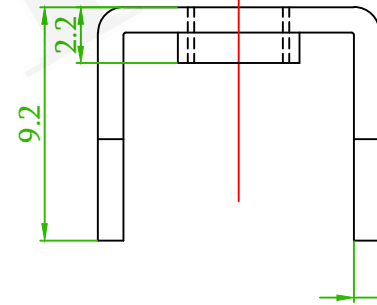
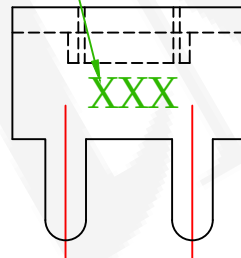
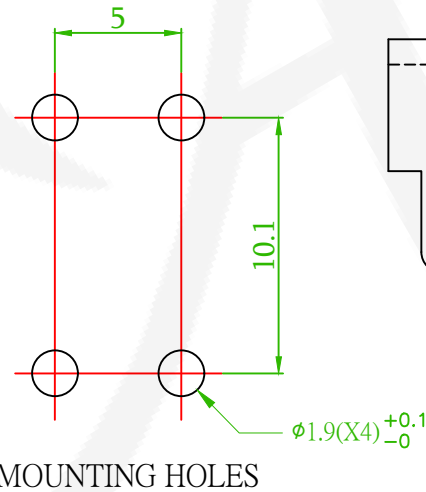
See Table



PART NO.	THREAD	TEXT
5GBM-008XX-A1	M3X0.5	M3
5GBM-008XX-A2	M4X0.7	M4
5GBM-008XX-A3	#6-32	632



Engraving as show in table.



(RoHS Compliant)

★ Pb	<1000PPM
★ Cd	< 100PPM
★ Hg	<1000PPM
★ Cr6+	<1000PPM
★ PBBs	<1000PPM
★ PBDEs	<1000PPM

Amtek Technology Co., Ltd.  
 TEL: 886-2-2260-6878  
 FAX: 886-2-2260-8030

品名 TITLE	P.C.B TERMINAL				頁數 Page	1/1
品號 PART NO.	5GBM-008XX-AX			繪圖 DRAWN	Nick 2019/12/31	
圖號 DRAWING NO.	GW018-NI700	版本 REV.	B	核對 CHECKED	Josh 2019/12/31	
客戶品號 CUSTOMER P/N		比例 SCALE	None	承認 APPROVED	Josh 2019/12/31	
公差 TOLERANCE	±0.2	單位 UNIT	mm	THIRD ANGLE PROJECTION		

QEC NO.:231104 Revise the Plating Options

Gaby 2023/11/27

ECN NO. OR DESCRIPTION

REVISED DATE



REV.