

### MATERIAL

Contact Pin: Brass

### NOTE

LOAD CURRENT: 15A

### ORDER INFORMATION

5 G B M - 0 0 1 X X - A X

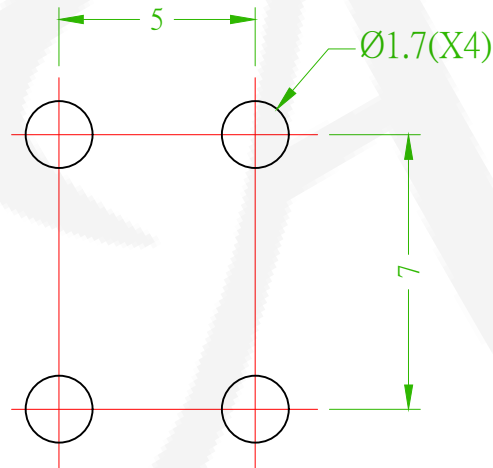
◎: Standard Recommend

T0: Tin Plated  
◎TM: Matte Tin

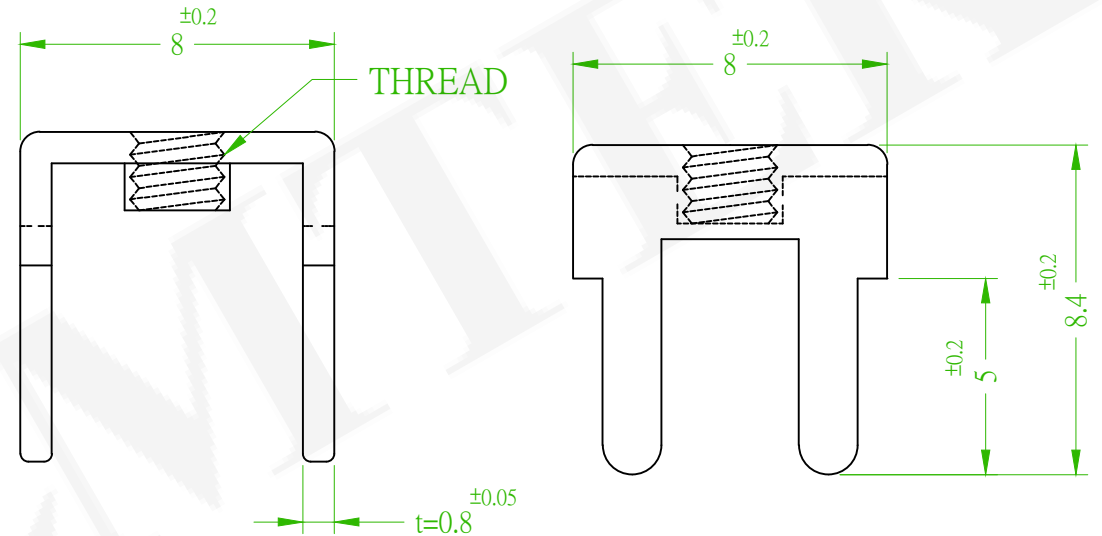
See Table



PART NO.	THREAD
5GBM-001XX-A1	M3x0.5P
5GBM-001XX-A2	M4x0.7P
5GBM-001XX-A3	UNC6-32
5GBM-001XX-A4	5/32"



MOUNTING HOLE



(RoHS Compliant)

★ Pb	<1000PPM
★ Cd	< 100PPM
★ Hg	<1000PPM
★ Cr6+	<1000PPM
★ PBBs	<1000PPM
★ PBDEs	<1000PPM

 耀德精密有限公司 Amtek Technology Co., Ltd. TEL: 886-2-2260-6878 FAX: 886-2-2260-8030	品名 TITLE	P.C.B TERMINAL			頁數 Page	1/1	
	品號 PART NO.	5GBM-001XX-AX		繪圖 DRAWN	Nick 2019/12/31		
	圖號 DRAWING NO.	GW018-NI696	版本 REV.	B	核對 CHECKED	Josh 2019/12/31	
	客戶品號 CUSTOMER P/N		比例 SCALE	None	承認 APPROVED	Josh 2019/12/31	
	公差 TOLERANCE		單位 UNIT	mm	THIRD ANGLE PROJECTION		

QEC NO.:231104 Revise the Plating Options

Gaby

2023/11/24

REV. ECN NO. OR DESCRIPTION

REVISED

DATE