

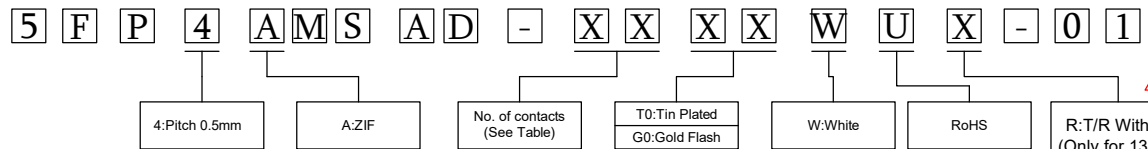
SPECIFICATION

Current Rating:0.5 AMP
 Insulation Resistance:100M Ω Min.
 Contact Resistance:30m Ω Max.
 Dielectric Voltage:250V AC for one minute
 Operation Temperature:-25 °C to +85 °C

MATERIAL

Insulator:High Temperature Thermoplastic,UL 94V-0
 Contact Pin:Copper Alloy

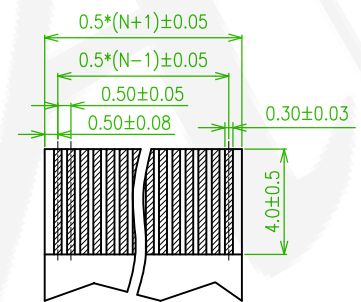
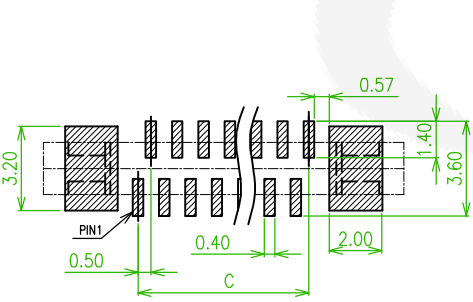
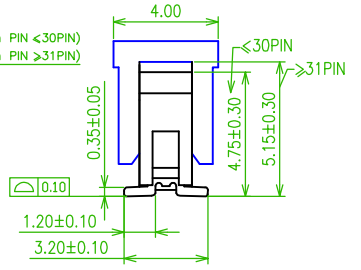
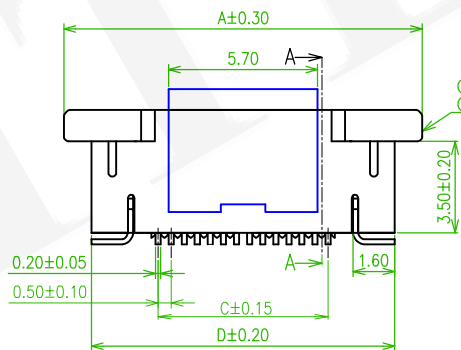
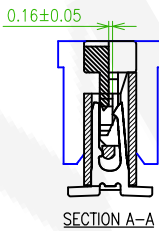
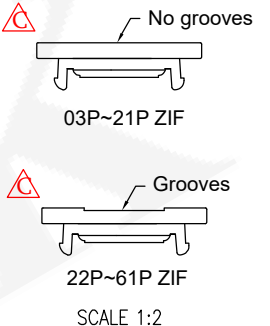
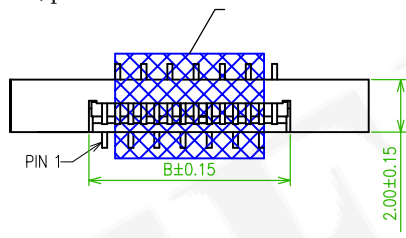
ORDER INFORMATION



Pole	Dimension				Pole	Dimension				Pole	Dimension			
	A	B	C	D		A	B	C	D		A	B	C	D
4	8.7	2.7	1.5	6.60	25	19.2	13.2	12	17.10	45	29.2	23.2	22	27.10
5	9.2	3.2	2	7.10	26	19.7	13.7	12.5	17.60	46	29.7	23.7	22.5	27.60
6	9.7	3.7	2.5	7.60	27	20.2	14.2	13	18.10	48	30.7	24.7	23.5	28.60
8	10.7	4.7	3.5	8.60	28	20.7	14.7	13.5	18.60	50	31.7	25.7	24.5	29.60
9	11.2	5.2	4	9.10	29	21.2	15.2	14	19.10	51	32.2	26.2	25	30.10
10	11.7	5.7	4.5	9.60	30	21.7	15.7	14.5	19.60	53	33.2	27.2	26	31.10
11	12.2	6.2	5	10.10	31	22.2	16.2	15	20.10	54	33.7	27.7	26.5	31.60
12	12.7	6.7	5.5	10.60	32	22.7	16.7	15.5	20.60	55	34.2	28.2	27	32.10
13	13.2	7.2	6	11.10	33	23.2	17.2	16	21.10	56	34.7	28.7	27.5	32.60
14	13.7	7.7	6.5	11.60	34	23.7	17.7	16.5	21.60	57	35.2	29.2	28	33.10
15	14.2	8.2	7	12.10	35	24.2	18.2	17	22.10	59	36.2	30.2	29	34.10
16	14.7	8.7	7.5	12.60	36	24.7	18.7	17.5	22.60	60	36.7	30.7	29.5	34.60
17	15.2	9.2	8	13.10	37	25.2	19.2	18	23.10	61	37.2	31.2	30.0	35.10
18	15.7	9.7	8.5	13.60	38	25.7	19.7	18.5	23.60					
19	16.2	10.2	9	14.10	39	26.2	20.2	19	24.10					
20	16.7	10.7	9.5	14.60	40	26.7	20.7	19.5	24.60					
21	17.2	11.2	10	15.10	41	27.2	21.2	20	25.10					
22	17.7	11.7	10.5	15.60	42	27.7	21.7	20.5	25.60					
23	18.2	12.2	11	16.10	43	28.2	22.2	21	26.10					
24	18.7	12.7	11.5	16.60	44	28.7	22.7	21.5	26.60					



△ CAP not available under 12P included, if need pick and place function, please refer P/N: 5FP4AMSAD-XXXXWUH-03



FPC/FFC T=0.30±0.03mm

Old Part No. : FPC4AMS6-XX-A-U

<p>糧德精密有限公司 Amtek Technology Co., Ltd. TEL: 886-2-2260-6878 FAX: 886-2-2260-8030</p>	品名 TITLE	FPC/FFC 0.5mm Zif Straight SMT Type			頁數 Page	1/1	
	品號 PART NO.	5FP4AMSAD-XXXXWUX-01		繪圖 DRAWN	Roy 2015/09/24		
	圖號 DRAWING NO.	GN033-BN892	版本 REV.	C	核對 CHECKED	John 2015/09/24	
	客戶品號 CUSTOMER P/N		比例 SCALE	None	承認 APPROVED	John 2015/09/24	
	公差 TOLERANCE	.X ± 0.20 .XX ± 0.10	.X°±3	單位 UNIT	mm	THIRD ANGLE PROJECTION	

△x3	ECN NO.:211221 Revise the Drawing	Benson	2022/01/14
△x3	Revise the drawing	Roy	2016/10/21
REV.	ECN NO. OR DESCRIPTION	REVISED	DATE