

SPECIFICATION

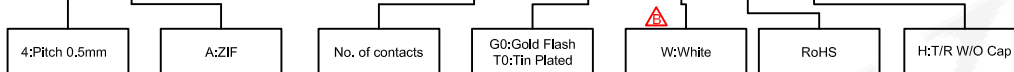
Current Rating: 0.2 AMP
 Voltage Rating: 30V AC,DC
 Insulation Resistance: 50MΩ Min.
 Contact Resistance: 40mΩ Max.
 Dielectric Voltage:250V AC for one minute
 Operation Temperature:-20°C to +85°C

MATERIAL

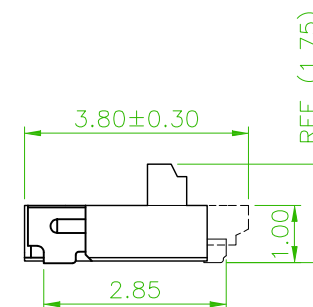
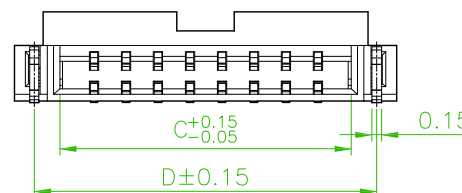
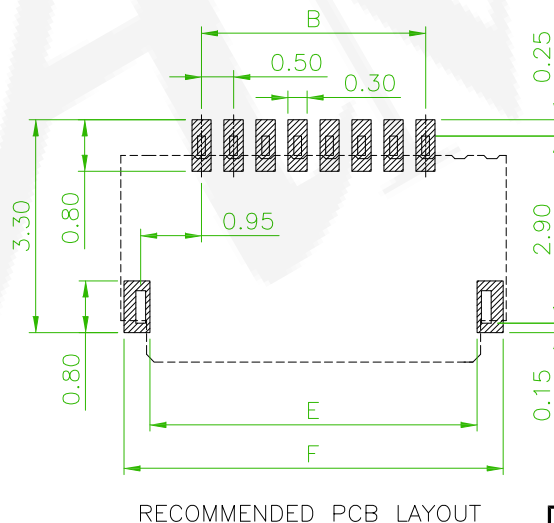
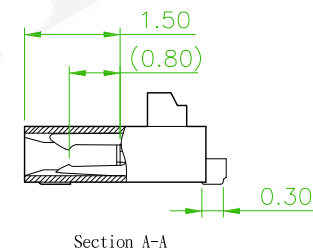
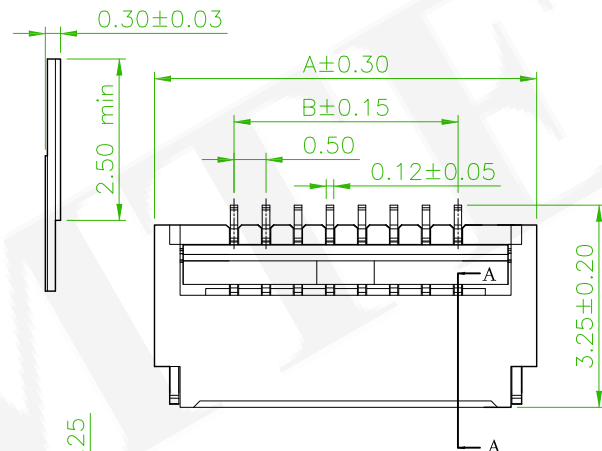
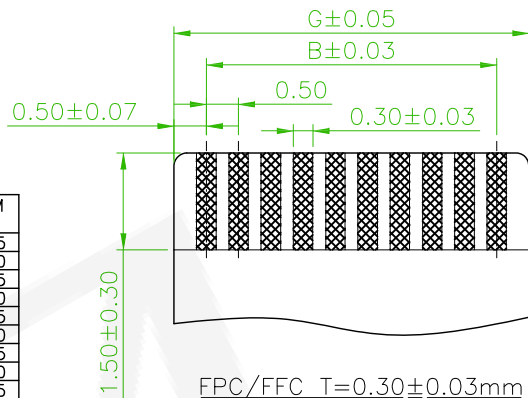
Insulator: LCP,UL 94V-0,Black
 Contact Pin: Copper Alloy
 Holddown: Copper Alloy
 Plating: Tin Or Gold plated over Nickel

ORDER INFORMATION

5 F C 4 A M R N D - X X X X W U H - 0 2



No. of Contacts	DIM. A	DIM. B	DIM. C	DIM. D	DIM. E	DIM. F	DIM. G
04	4.0	1.5	2.57	3.38	3.1	3.9	2.5
05	4.5	2.0	3.07	3.88	3.6	4.4	3.0
06	5.0	2.5	3.57	4.38	4.1	4.9	3.5
07	5.5	3.0	4.07	4.88	4.6	5.4	4.0
08	6.0	3.5	4.57	5.38	5.1	5.9	4.5
09	6.5	4.0	5.07	5.88	5.6	6.4	5.0
10	7.0	4.5	5.57	6.38	6.1	6.9	5.5
11	7.5	5.0	6.07	6.88	6.6	7.4	6.0
12	8.0	5.5	6.57	7.38	7.1	7.9	6.5
13	8.5	6.0	7.07	7.88	7.6	8.4	7.0
14	9.0	6.5	7.57	8.38	8.1	8.9	7.5
15	9.5	7.0	8.07	8.88	8.6	9.4	8.0
16	10.0	7.5	8.57	9.38	9.1	9.9	8.5
17	10.5	8.0	9.07	9.88	9.6	10.4	9.0
18	11.0	8.5	9.57	10.38	10.1	10.9	9.5
19	11.5	9.0	10.07	10.88	10.6	11.4	10.0
20	12.0	9.5	10.57	11.38	11.1	11.9	10.5
21	12.5	10.0	11.07	11.88	11.6	12.4	11.0
22	13.0	10.5	11.57	12.38	12.1	12.9	11.5
23	13.5	11.0	12.07	12.88	12.6	13.4	12.0
24	14.0	11.5	12.57	13.38	13.1	13.9	12.5
25	14.5	12.0	13.07	13.88	13.6	14.4	13.0
26	15.0	12.5	13.57	14.38	14.1	14.9	13.5
27	15.5	13.0	14.07	14.88	14.6	15.4	14.0
28	16.0	13.5	14.57	15.38	15.1	15.9	14.5
29	16.5	14.0	15.07	15.88	15.6	16.4	15.0
30	17.0	14.5	15.57	16.38	16.1	16.9	15.5
31	17.5	15.0	16.07	16.88	16.6	17.4	16.0
32	18.0	15.5	16.57	17.38	17.1	17.9	16.5
33	18.5	16.0	17.07	17.88	17.6	18.4	17.0
34	19.0	16.5	17.57	18.38	18.1	18.9	17.5
35	19.5	17.0	18.07	18.88	18.6	19.4	18.0
36	20.0	17.5	18.57	19.38	19.1	19.9	18.5
37	20.5	18.0	19.07	19.88	19.6	20.4	19.0
38	21.0	18.5	19.57	20.38	20.1	20.9	19.5
39	21.5	19.0	20.07	20.88	20.6	21.4	20.0
40	22.0	19.5	20.57	21.38	21.1	21.9	20.5
41	22.5	20.0	21.07	21.88	21.6	22.4	21.0
42	23.0	20.5	21.57	22.38	22.1	22.9	21.5
43	23.5	21.0	22.07	22.88	22.6	23.4	22.0
44	24.0	21.5	22.57	23.38	23.1	23.9	22.5
45	24.5	22.0	23.07	23.88	23.6	24.4	23.0
46	25.0	22.5	23.57	24.38	24.1	24.9	23.5
47	25.5	23.0	24.07	24.88	24.6	25.4	24.0
48	26.0	23.5	24.57	25.38	25.1	25.9	24.5
49	26.5	24.0	25.07	25.88	25.6	26.4	25.0
50	27.0	24.5	25.57	26.38	26.1	26.9	25.5



△x1	Add other No. of contacts(40Pin)	Nick	2019/10/31
△x1	QEC NO.:180804,Revise the table	Mia	2018/08/08
△x2	ECN NO.:171204,Revise the color:Black->White	Mia	2018/01/15
REV.	ECN NO. OR DESCRIPTION	REVISED	DATE

<p>耀德精密有限公司 Amtek Technology Co., Ltd. TEL: 886-2-2260-6878 FAX: 886-2-2260-8030</p>	品名 TITLE	FPC/FFC 0.5mm R/A SMT Type				頁數 Page	1/1
	圖號 PART NO.	△ 5FC4AMRND-XXXXWUH-02				繪圖 DRAWN	Eloise 2017/02/24
	圖號 DRAWING NO.	GN033-EL294		版本 REV.	D	核對 CHECKED	Jonny 2017/02/24
	客戶品號 CUSTOMER P/N			比例 SCALE	None	承認 APPROVED	Aaron 2017/02/24
	公差 TOLERANCE	.X ±0.20 .XX ±0.15		單位 UNIT	mm	THIRD ANGLE PROJECTION	