

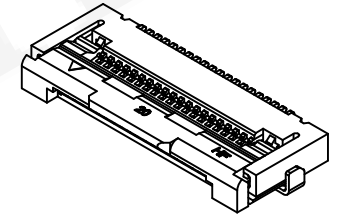
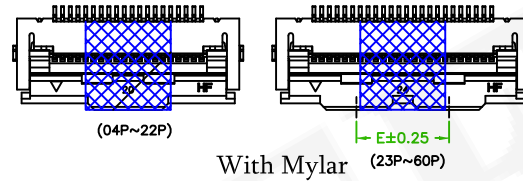
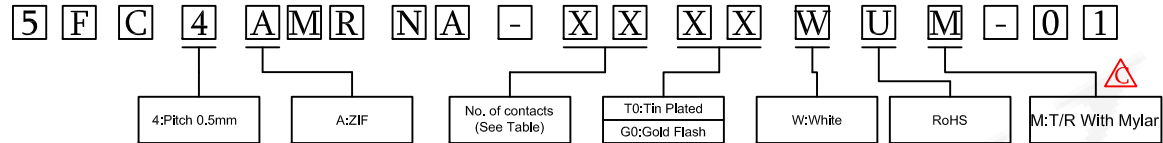
SPECIFICATION

Current Rate:0.5 AMP
 Voltage Rate:50V AC,DC
 Insulation Resistance:100M Ω Min.
 Contact Resistance:30m Ω Max.
 Dielectric Voltage:250V AC/Minute
 Operation Temperature:-25 °C to +85 °C

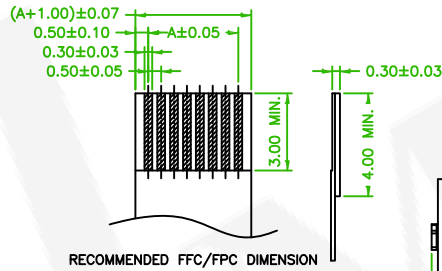
MATERIAL

Insulator:High Temperature Thermoplastic,UL 94V-0
 Cover:High Temperature Thermoplastic,UL 94V-0,Black
 Contact Pin:Copper Alloy

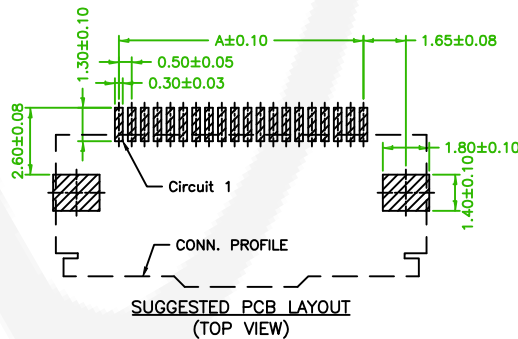
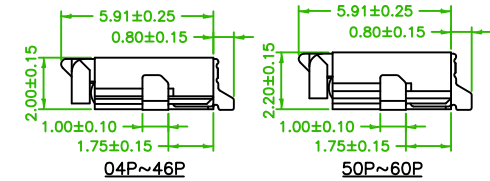
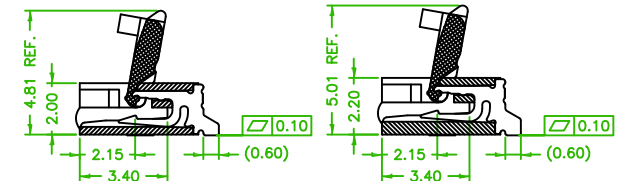
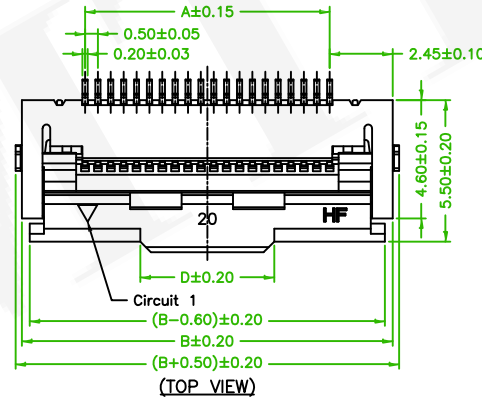
ORDER INFORMATION



Circuit No.	Dimensions					Circuit No.	Dimensions				
	A	B	C	D	E		A	B	C	D	E
04P	1.50	6.40	2.60	2.20		28P	13.50	18.40	14.60	5.20	7.00
06P	2.50	7.40	3.60	2.70		29P	14.00	18.90	15.10	5.20	7.50
07P	3.00	7.90	4.10	2.70		30P	14.50	19.40	15.60	5.20	7.50
08P	3.50	8.40	4.60	2.70		31P	15.00	19.90	16.10	5.20	8.00
09P	4.00	8.90	5.10	2.70		32P	15.50	20.40	16.60	5.20	8.00
10P	4.50	9.40	5.60	4.70		33P	16.00	20.90	17.10	5.20	8.50
11P	5.00	9.90	6.10	4.70		34P	16.50	21.40	17.60	5.20	9.00
12P	5.50	10.40	6.60	4.70		35P	17.00	21.90	18.10	5.20	9.00
14P	6.50	11.40	7.60	4.70		36P	17.50	22.40	18.60	5.20	9.00
15P	7.00	11.90	8.10	5.20		38P	18.50	23.40	19.60	5.20	10.00
16P	7.50	12.40	8.60	5.20		40P	19.50	24.40	20.60	5.20	13.50
18P	8.50	13.40	9.60	5.20		42P	20.50	25.40	21.60	5.20	14.50
20P	9.50	14.40	10.60	5.20		45P	22.00	26.90	23.10	5.20	14.30
21P	10.00	14.90	11.10	5.20		46P	22.50	27.40	23.60	5.20	14.30
22P	10.50	15.40	11.60	5.20		50P	24.50	29.40	25.60	5.20	6.50
24P	11.50	16.40	12.60	4.70	6.00	54P	26.50	31.40	27.60	5.20	8.00
25P	12.00	16.90	13.10	4.70	6.00	55P	27.00	31.90	28.10	5.20	8.00
26P	12.50	17.40	13.60	5.20	6.50	60P	29.50	34.40	30.60	5.20	8.00



RECOMMENDED FFC/FPC DIMENSION



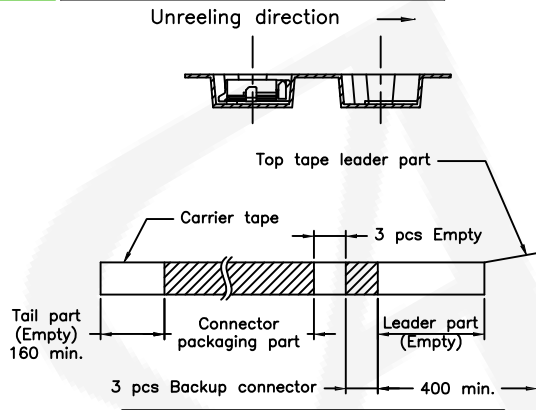
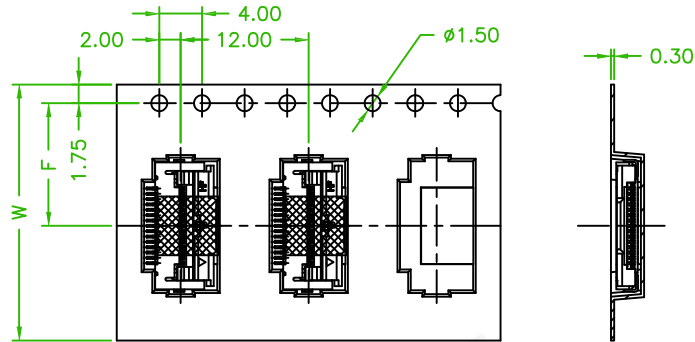
Old Part No. : FPC4AMR8C-XX-U

△x1	ECN NO.:180503,Remove Pin:13,17,19,23,27,37,39	Mia	2018/05/17
△x1	Remove the Package Option: H:T/R W/O Mylar	Roy	2017/07/24
△x1	Add the drawing	Mia	2016/05/26
REV.	ECN NO. OR DESCRIPTION	REVISED	DATE

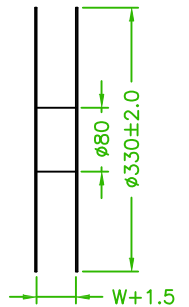
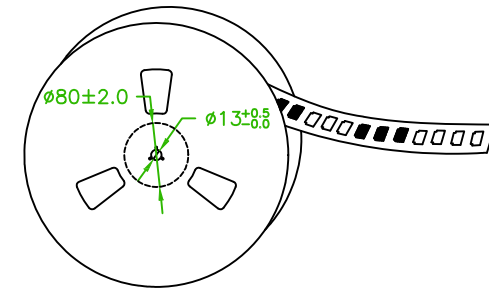
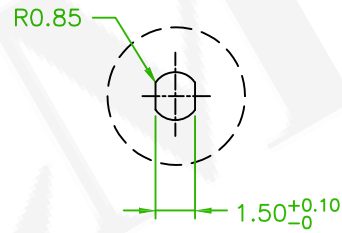
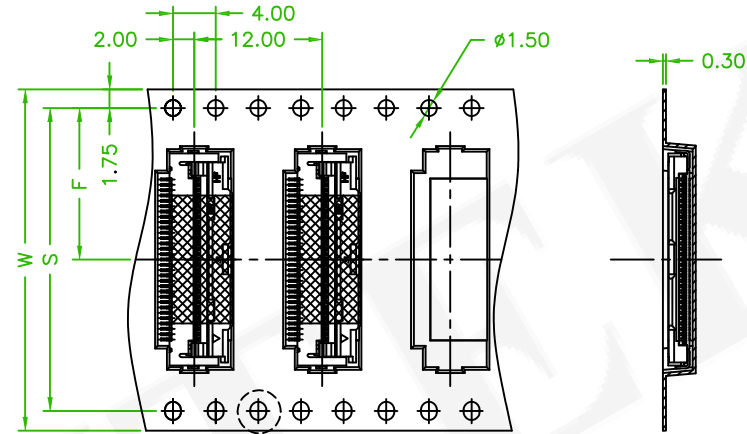
TEL: 886-2-2260-6878
 FAX: 886-2-2260-8030

品名 TITLE	FPC/FFC 0.5mm Zif R/A SMT Type				頁數 Page	1/2
品號 PART NO.	5FC4AMRNA-XXXXWUM-01				繪圖 DRAWN	Roy 2016/05/10
圖號 DRAWING NO.	GW090-RL915		版本 REV.	D	核對 CHECKED	Emily 2016/05/10
客戶品號 CUSTOMER P/N			比例 SCALE	None	承認 APPROVED	John 2016/05/10
公差 TOLERANCE	.X ± 0.25	.XX ± 0.15	.X°±3	單位 UNIT	mm	THIRD ANGLE PROJECTION

04~23 Contacts



24~60 Contacts



Old Part No. : FPC4AMR8C-XX-U

Number of Contacts	W±0.3	F±0.1	S±0.1	Q'ty/Reel	Number of Contacts	W±0.3	F±0.1	S±0.1	Q'ty/Reel
04P	16	7.50		1,000	28P	32	14.20	28.40	1,000
06P	16	7.50		1,000	29P	32	14.20	28.40	1,000
07P	16	7.50		1,000	30P	32	14.20	28.40	1,000
08P	16	7.50		1,000	31P	32	14.20	28.40	1,000
09P	24	11.50		1,000	32P	32	14.20	28.40	1,000
10P	24	11.50		1,000	33P	32	14.20	28.40	1,000
11P	24	11.50		1,000	34P	32	14.20	28.40	1,000
12P	24	11.50		1,000	35P	44	20.20	40.40	1,000
14P	24	11.50		1,000	36P	44	20.20	40.40	1,000
15P	24	11.50		1,000	38P	44	20.20	40.40	1,000
16P	24	11.50		1,000	40P	44	20.20	40.40	1,000
18P	24	11.50		1,000	42P	44	20.20	40.40	1,000
20P	24	11.50		1,000	45P	44	20.20	40.40	1,000
21P	24	11.50		1,000	46P	44	20.20	40.40	1,000
22P	24	11.50		1,000	50P	44	20.20	40.40	1,000
24P	32	14.20	28.40	1,000	54P	44	20.20	40.40	1,000
25P	32	14.20	28.40	1,000	55P	44	20.20	40.40	1,000
26P	32	14.20	28.40	1,000	60P	56	26.20	52.40	1,000

△x1	ECN NO.:180503,Remove Pin:13,17,19,23,27,37,39	Mia	2018/05/17
△x1	Remove the Package Option: H:T/R W/O Mylar	Roy	2017/07/24
△x1	Add the drawing	Mia	2016/05/26
REV.	ECN NO. OR DESCRIPTION	REVISED	DATE

耀德精密有限公司
 Amtek Technology Co., Ltd.
 TEL: 886-2-2260-6878
 FAX: 886-2-2260-8030

品名 TITLE	FPC/FCC 0.5mm Zif R/A SMT Type				頁數 Page	2/2
品號 PART NO.	5FC4AMRNA-XXXXWUM-01			繪圖 DRAWN	Roy 2016/05/10	
圖號 DRAWING NO.	GW090-RL915		版本 REV.	D	核對 CHECKED	Emily 2016/05/10
客戶品號 CUSTOMER P/N			比例 SCALE	None	承認 APPROVED	John 2016/05/10
公差 TOLERANCE	.X ±0.25	.XX ±0.15	.X°±3	單位 UNIT	mm	THIRD ANGLE PROJECTION