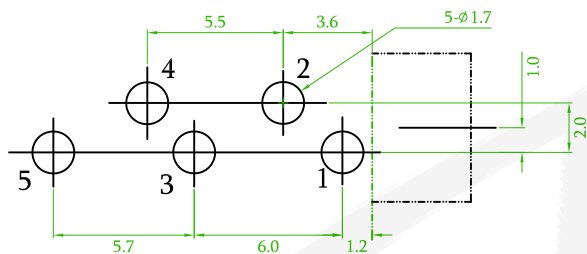
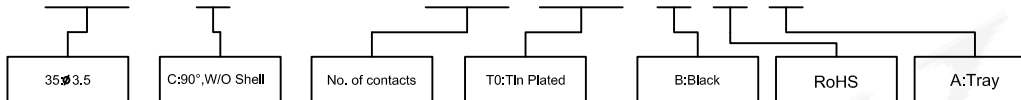


SPECIFICATION

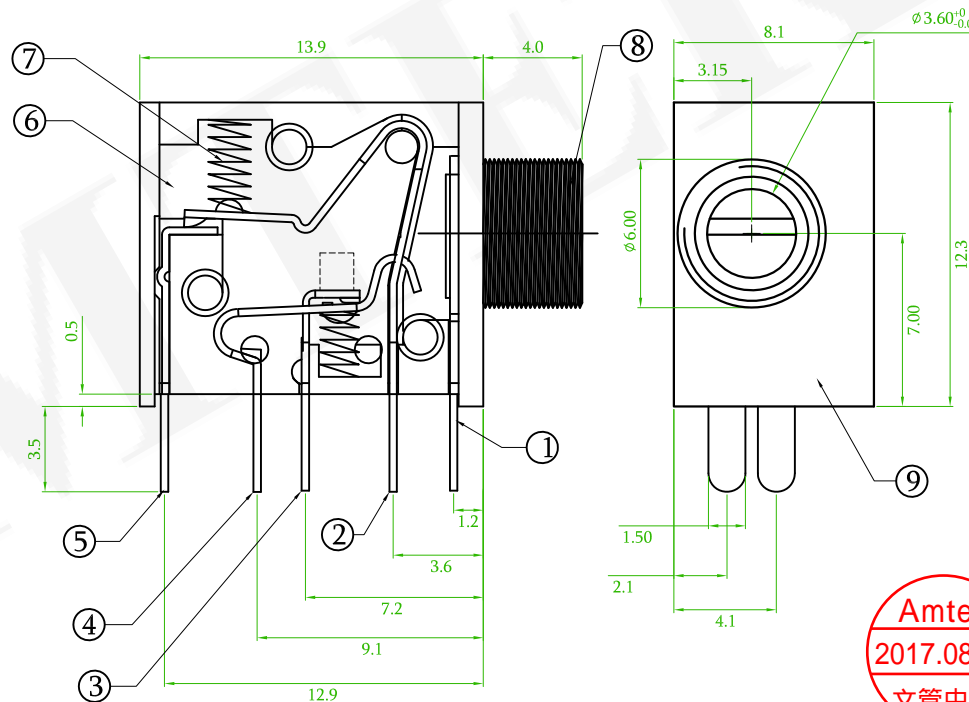
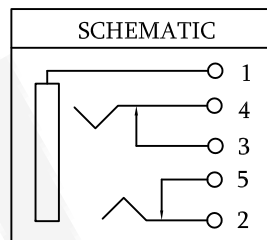
Current Rating :2A DC , 1A AC
 Voltage Rating :12V DC,100V AC
 Insulation Resistance:100M Ω Min.
 Contact Resistance:30m Ω Max.
 Dielectric Voltage:500V AC for one minute
 Insertion Force: 0.3~3.0 Kg.
 Extraction Force: 0.3~3.0Kg.

ORDER INFORMATION

5 E J 3 5 D C 0 1 - 0 5 T 0 B L A - 0 1




PCB LAYOUT
(BOTTOM VIEW)



Old P/N:EPJ35-0004TP-XXTB-L

NO.	NAME	MATERIAL	FINISH	QTY
1	EARTH TERMINAL	BRASS t=0.3	TIN PLATED	1
2	TIP SPRING	PHOSPHOR BRONZE t=0.3	TIN PLATED	1
3	TIP SHUNT	BRASS t=0.3	TIN PLATED	1
4	RING SPRING	PBS t=0.3	TIN PLATED	1
5	RING SHUNT	BRASS t=0.3	TIN PLATED	1
6	COVER	PBT G.F.	BLACK	1
7	SPRING	STAINLESS STEEL	NICKEL PLATED	2
8	BUSHING	BRASS	NICKEL PLATED	1
9	HOUSING	PBT G.F.	BLACK	1

REV.	ECN NO. OR DESCRIPTION	REVISED	DATE

 耀德精密有限公司 Amtek Technology Co., Ltd. TEL: 886-2-2260-6878 FAX: 886-2-2260-8030	品名 TITLE	Earphone Jack				頁數 Page	1/1
	品號 PART NO.	5EJ35DC01-05T0BLA-01				繪圖 DRAWN	Roy 2017/01/26
	圖號 DRAWING NO.	GW216-RL402	版本 REV.	A	核對 CHECKED	Jonny 2017/01/26	
	客戶品號 CUSTOMER P/N		比例 SCALE	None	承認 APPROVED	Aaron 2017/01/26	
	公差 TOLERANCE	.X±0.25 .XX±0.13	X°±3°	單位 UNIT	mm	THIRD ANGLE PROJECTION	