

SPECIFICATION

Current Rating: 3 AMP
 Insulation Resistance: 1000MΩ Min.
 Contact Resistance: 20mΩ Max.
 Dielectric Voltage: 500V AC for one minute
 Operation Temperature: -25°C to +85°C

MATERIAL

Insulator: PBT+30%G.F., UL94V-0, Gray △
 Contact Pin: Copper Alloy

ORDER INFORMATION

5EH1ISDNN - XX XX

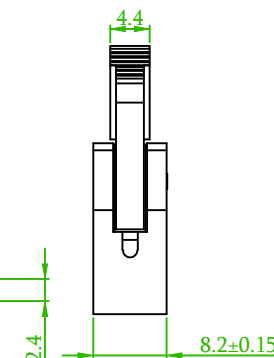
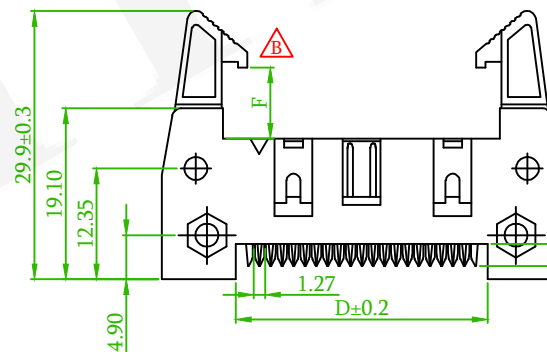
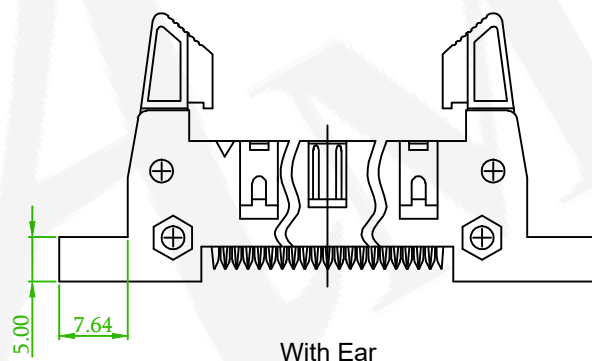
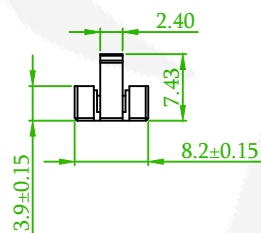
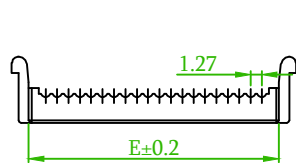
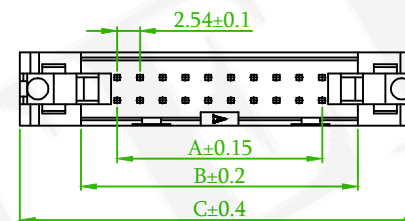
No. of Contacts	G0:Gold Flash	S0:Selective	7:With Ear Long Ejector 8:With Ear Short Ejector 9:W/O Ear Long Ejector A:W/O Ear Short Ejector	A:Tray W/O Cap	RoHS
	GA:5u"	SA:5u"			
	GB:10u"	SB:10u"			
	GC:20u"	SC:20u"			
	GD:30u"	SD:30u"			
T0:Tin Plated					
TE:Tin 200u"					



AMTEK 糧德
2021.10.20
Released DCC

Con.	Dim. A	Dim. B	Dim. C	Dim. D	Dim. E
10	10.16	39.10	47.20	21.80	15.20
14	15.24	44.18	52.28	26.88	20.28
16	17.78	46.72	54.82	29.42	22.82
20	22.86	51.80	59.90	34.50	27.90
24	27.94	56.88	64.98	39.58	32.98
26	30.48	59.42	67.52	42.12	35.52
30	35.56	64.50	72.60	47.20	40.60
34	40.64	69.58	77.68	52.28	45.68
40	48.26	77.20	85.30	59.90	53.30
50	60.96	89.90	98.00	72.60	66.00
60	73.66	102.60	110.70	85.30	78.70
64	78.74	107.68	115.78	90.38	83.78

	Dim. F
Long Ejector	7.95 mm
Short Ejector	3.65 mm



 糧德精密有限公司 Amtek Technology Co., Ltd. TEL: 886-2-2260-6878 FAX: 886-2-2260-8030	品名 TITLE	2.54mm EJECTOR HEADER IDC TYPE			頁數 Page	1/1
	品號 PART NO.	△ 5EH1ISDNN-XXXXXAG-00			繪圖 DRAWN	Gary 2018/01/29
	圖號 DRAWING NO.	GN046-GA949	版本 REV.	C	核對 CHECKED	Josh 2018/01/29
	客戶品號 CUSTOMER P/N		比例 SCALE	None	承認 APPROVED	Jason 2018/01/29
	公差 TOLERANCE	.X ± 0.38 .XX ± 0.25	單位 UNIT	mm	THIRD ANGLE PROJECTION	

REV.	ECN NO. OR DESCRIPTION	REVISED	DATE
△ x3	QEC NO.:211005 Revise the drawing	Alice	2021/10/19
B x3	ECN NO.:191211 Revise the option	David	2020/01/15