

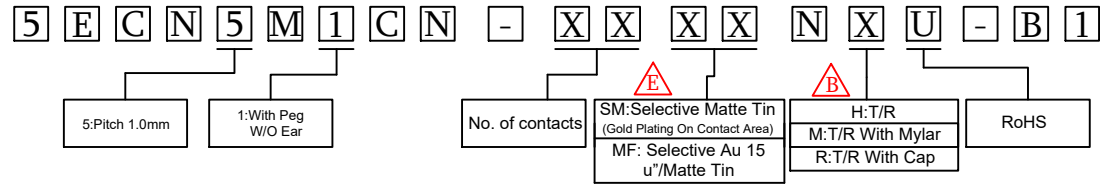
### SPECIFICATION

Current Rating: 1.1 AMP  
 Insulation Resistance: 1000MΩ Min.  
 Contact Resistance: 30mΩ Max.  
 Dielectric Voltage: 500V AC for one minute  
 Operation Temperature: -55 °C to +105 °C

### MATERIAL

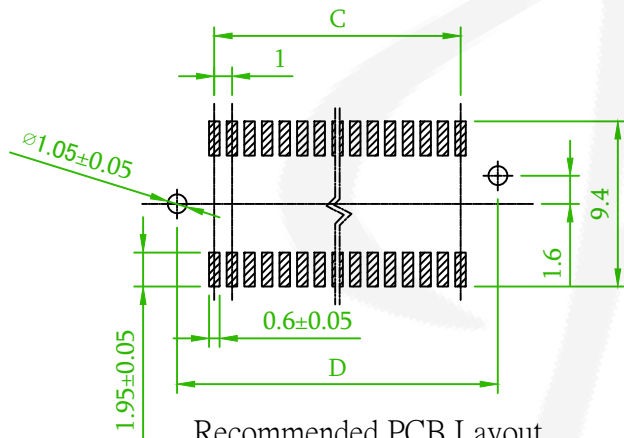
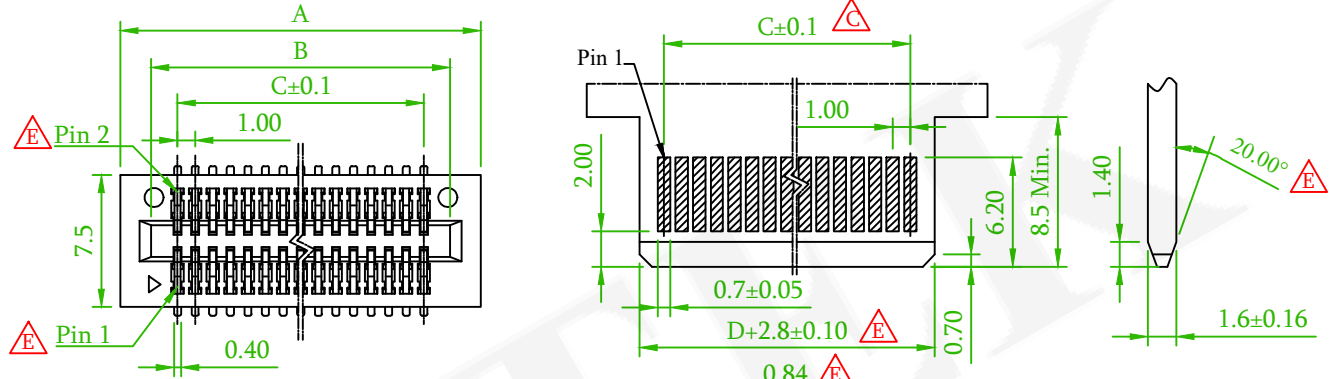
Insulator: Hi-Temp. Thermoplastic, UL 94V-0, Black  
 Contact Pin: Copper Alloy

### ORDER INFORMATION

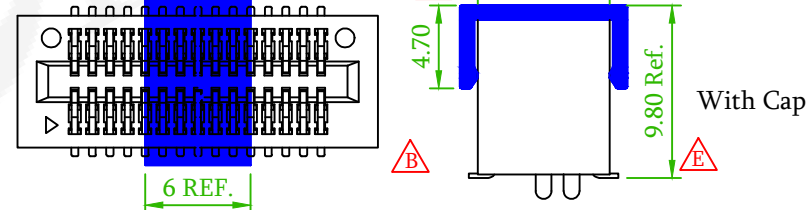
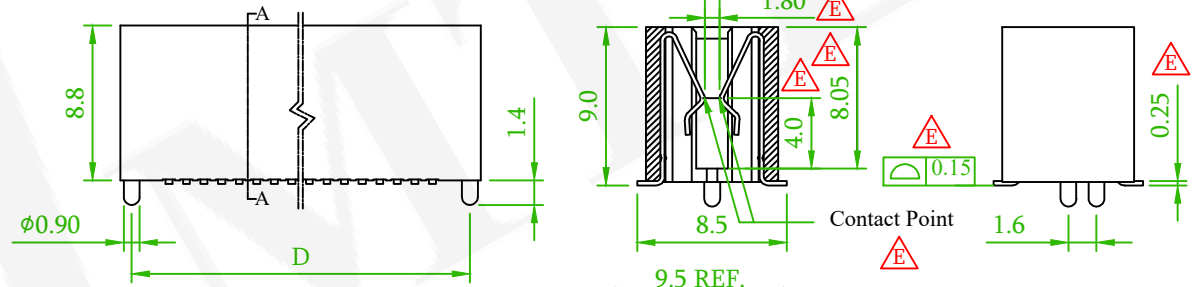


<sup>B</sup> <sup>D</sup>

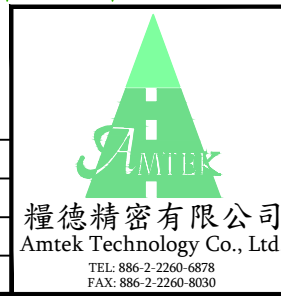
No. of Contacts	Dimensions(mm)			
	A	B	C	D
10	9.5	7.00	4.00	8.24
16	12.5	10.00	7.00	11.24
20	14.5	12.00	9.00	13.24
32	20.5	18.00	15.00	19.24
40	24.5	22.00	19.00	23.24
60	34.5	32.00	29.00	33.24
72	40.5	38.00	35.00	39.24
80	44.5	42.00	39.00	43.24
120	64.5	62.00	59.00	63.24
160	84.5	82.00	79.00	83.24



Recommended PCB Layout  
 (PCB TOLERANCE ±0.1)



Okd P/N: EC5M-XXXBL2-B-U



品名 TITLE	1.0mm CARD EDGE SOCKET V/T SMT TYPE				頁數 Page	1/1
品號 PART NO.	<sup>D</sup> 5ECN5M1CN-XXXXNXU-B1				繪圖 DRAWN	Roy 2017/02/15
圖號 DRAWING NO.	GW008-RL462	版本 REV.	E	核對 CHECKED	Josh 2018/08/24	
客戶品號 CUSTOMER P/N		比例 SCALE	None	承認 APPROVED	Jason 2018/08/24	
公差 TOLERANCE	.X ± 0.25	X±3°	單位 UNIT	mm	THIRD ANGLE PROJECTION	

<sup>E</sup>	QEC NO:231006 Revise the drawing	Alice	2023/10/17
<sup>D</sup> x3	QEC NO:210111 Revise the drawing	Alice	2021/02/01
<sup>C</sup> x1	Revise the DIM	Nick	2019/09/26
REV.	ECN NO. OR DESCRIPTION	REVISED	DATE