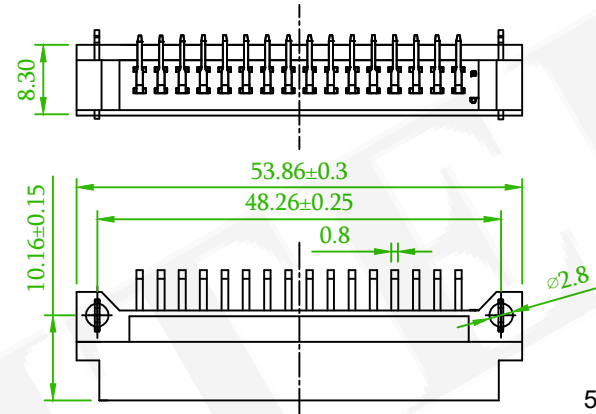
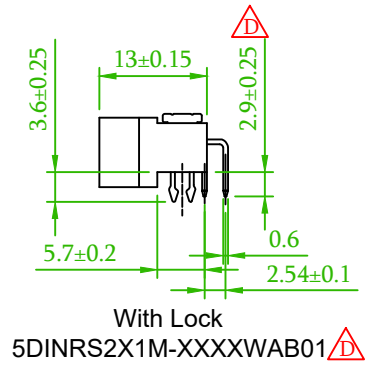
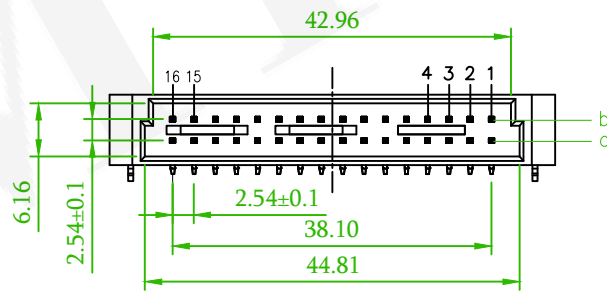


Table 2

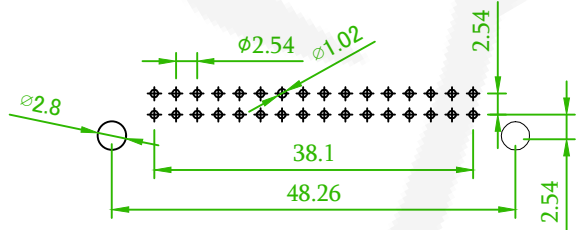
Part No.	Pin No.	Pitch	Rows with Pins	Contact Arrange
5DINRS2BXM-32 ***	32	2.54	a b	
5DINRS2DXM-16 ***	16		a -	
5DINRS2FXM-16 ***	16	5.08	a b	
5DINRS2HXM-08 ***	8		a -	



W/O Lock
5DINRS2XNM-XXXXWAB01



With Lock
5DINRS2X1M-XXXXWAB01



P.C.B. LAYOUT
TOLERANCE: ±0.05

Old Part No.:DINSR-M2XXXXW2-L

<p>Amtek Technology Co., Ltd. TEL: 886-2-2260-6878 FAX: 886-2-2260-8030</p>	品名 TITLE	DIN 41612 2-R R/A DIP TYPE			頁數 Page	2/2	
	品號 PART NO.	5DINRS2XXM-XXXXWAB01		繪圖 DRAWN	Jeff 2015/09/16		
	圖號 DRAWING NO.	GN087-RR460	版本 REV.	E	核對 CHECKED	Josh 2018/08/02	
	客戶品號 CUSTOMER P/N		比例 SCALE	None	承認 APPROVED	Jeff 2018/08/02	
	公差 TOLERANCE	.X ±0.30 .XX ±0.20	單位 UNIT	mm	THIRD ANGLE PROJECTION		

E x4	ECN NO.: 220616 Revise the Table & Add the page 2	Benson	2022/07/28
D x3	ECN NO.: 180709, Add an option: N: W/O Lock, revise a dimension: 3.2 -> 2.9.	Gary	2018/08/02
C x1	Add an option: pitch=2.54, 32Pin.	Gary	2018/06/28
REV.	ECN NO. OR DESCRIPTION	REVISED	DATE