

### SPECIFICATION

Current Rating: 3 AMP  
 Insulation Resistance: 1000MΩ Min.  
 Contact Resistance: 30mΩ Max.  
 Dielectric Voltage: 1000V AC for one minute  
 Operation Temperature: -25°C to +85°C

### MATERIAL

Insulator: P.B.T, UL 94V-0  
 Contact Pin: Copper Alloy

### ORDER INFORMATION

5 D I N R S 2 X X F - X X X X W A B 0 1

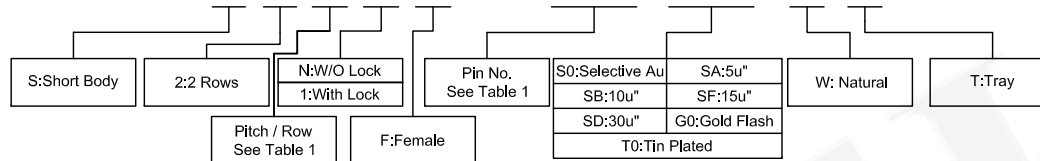
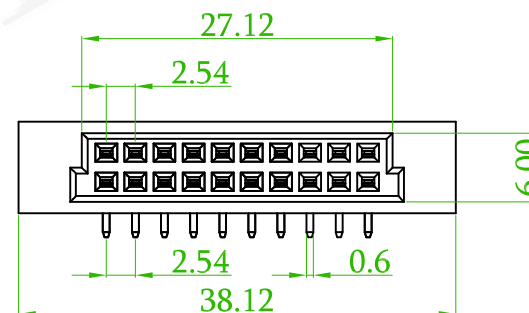
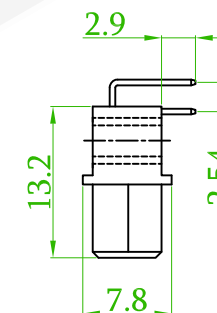
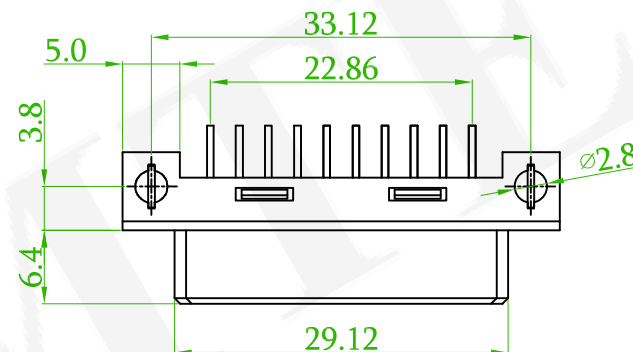
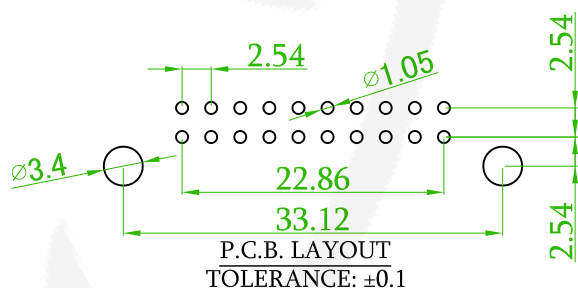


Table 1

Part No.	Pin No.	Pitch	Rows with Pins	Contact Arrange
5DINRS2BXF-20 ***	20	2.54	A B	
5DINRS2DXF-10 ***	10		A -	
5DINRS2FXF-10 ***	10	5.08	A B	
5DINRS2HXF-05 ***	5		A -	



REV.	REV. x1	Revise the Table 1	Roy	2018/05/08
		ECN NO. OR DESCRIPTION	REVISED	DATE

<p>糧德精密有限公司 Amtek Technology Co., Ltd. TEL: 886-2-2260-6878 FAX: 886-2-2260-8030</p>	品名 TITLE	DIN 41612 2-R R/A DIP TYPE			頁數 Page	1/1
	品號 PART NO.	5DINRS2XXF-XXXXWAB01			繪圖 DRAWN	Gary 2017/08/16
	圖號 DRAWING NO.	GN087-GA543	版本 REV.	B	核對 CHECKED	Josh 2018/05/09
	客戶品號 CUSTOMER P/N		比例 SCALE	None	承認 APPROVED	Jason 2018/05/09
	公差 TOLERANCE	.X ± 0.30 .XX ± 0.20	單位 UNIT	mm	THIRD ANGLE PROJECTION	