

MATERIAL ⚠

Insulator: Nylon 9T, UL94V-0, Black
Contact Pin: Brass

ORDER INFORMATION

5 B H 2 S D A 6 4 - X X X X X X U - 0 0

Ⓢ:Standard Recommend

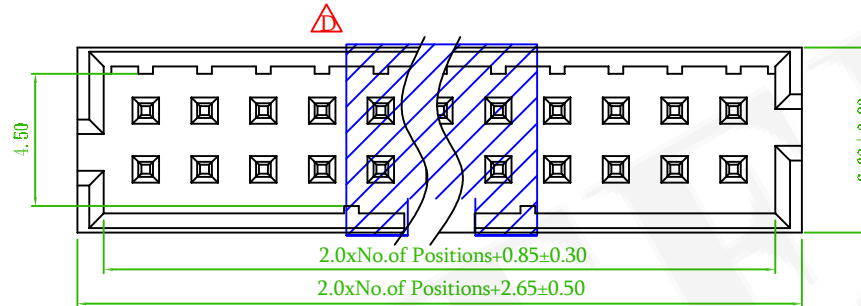
No. of contacts
06P~50P,60P,68P

G0:Gold Flash	S0>Selective
GA:5u"	SA:5u"
GB:10u"	SB:10u"
GC:20u"	SC:20u"
GD:30u"	SD:30u"
T0:Tin Plated	
TE:Tin 200u"	

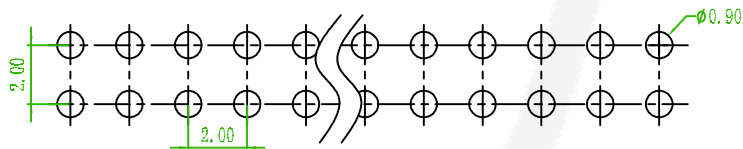
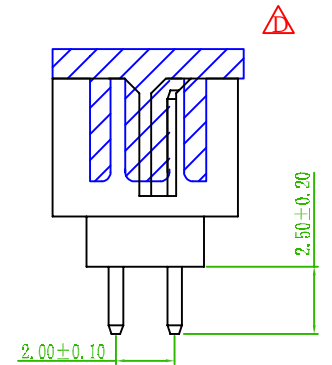
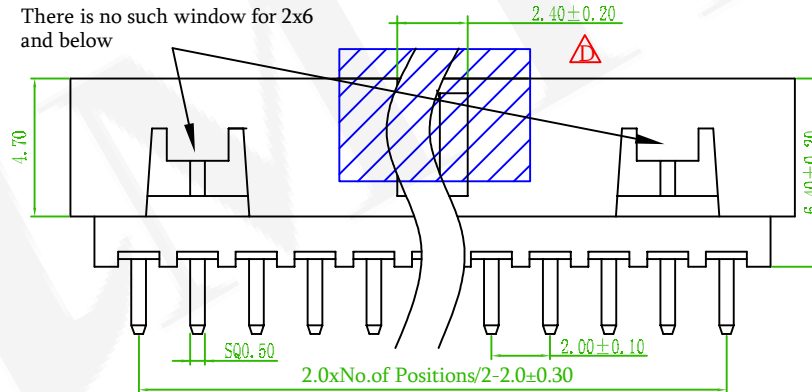
5:W/O peg

T:Tube, W/O Cap
C:Tube, With Cap
H:Tape & Reel, W/O Cap
R:Tape & Reel, With Cap

RoHS



There is no such window for 2x6 and below



Recommended PCB Layout
(PCB TOLERANCE ±0.05)

Old Part No.:BH2AS-XX-U

⚠	EasyFlow202311080003 Add the Packaging Options	Gaby	2023/11/08
⚠	ECN NO.:231015 Added PIN number	Gaby	2023/11/02
⚠	ECN NO.:231004 Revise the drawing	Randy	2023/10/23
REV.	ECN NO. OR DESCRIPTION	REVISED	DATE

耀德精密有限公司
Amtek Technology Co., Ltd.
TEL: 886-2-2260-6878
FAX: 886-2-2260-8030

品名 TITLE	BOX HEADER 2.0mm 180°				頁數 Page	1/1
品號 PART NO.	5BH2SDA64-XXXXXXU-00 ⚠				繪圖 DRAWN	Jeff 2015/09/03
圖號 DRAWING NO.	GN003-GA732	版本 REV.	D	核對 CHECKED	John 2015/09/03	
客戶品號 CUSTOMER P/N		比例 SCALE	None	承認 APPROVED	John 2015/09/03	
公差 TOLERANCE	.X ± 0.25 .XX ± 0.20	.X° ± 3°	單位 UNIT	mm	THIRD ANGLE PROJECTION	