

**SPECIFICATION**

Current Rating: 2 AMP  
 Insulation Resistance: 1000MΩ Min.  
 Contact Resistance: 20mΩ Max.  
 Dielectric Voltage: 500V AC for one minute ☉:Standard Recommend  
 Operation Temperature: -40°C to +105°C

**MATERIAL**

Insulator: Hi-Temp. Thermoplastic, UL94V-0, Black  
 Contact Pin: Copper Alloy

**ORDER INFORMATION**

5 B H 2 S D A 4 8 - X X X X 5 X U - 0 0

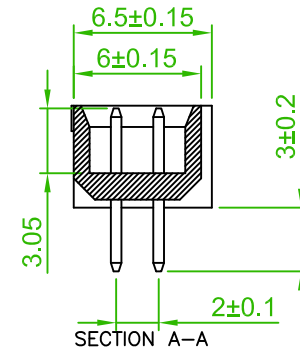
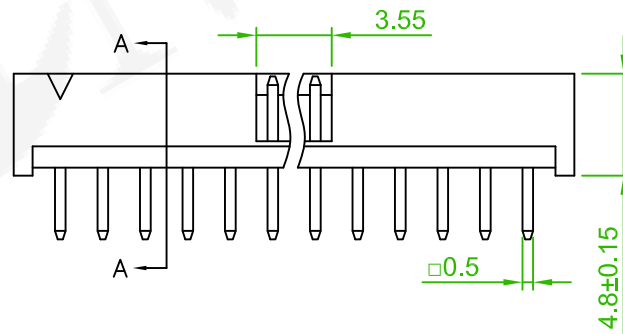
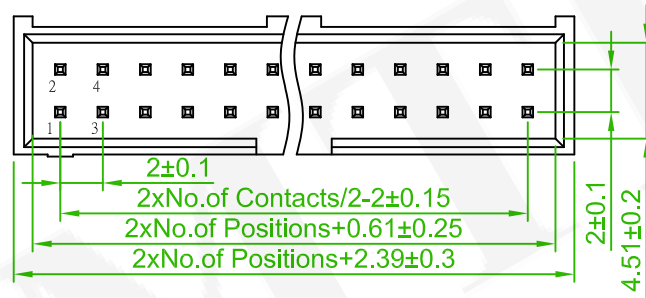
No. of contacts  
(10,14,16,20,24,26,30,34,40,44,50,60)

G0:Gold Flash	S0:Selective
GA:5u"	SA:5u"
GB:10u"	SB:10u"
GC:20u"	SC:20u"
GD:30u"	SD:30u"
T0:Tin Plated	
TE:Tin 200u"	

5:W/O peg

T:Tube, W/O Cap
C:Tube, With Cap
H:Tape & Reel, W/O Cap
R:Tape & Reel, With Cap
©A:Tray, W/O Cap
P:Tray, With Cap

RoHS



Recommended PCB Layout  
(PCB TOLERANCE ±0.1)

Old Part No.:BH2GS-XX-U

REV.	ECN NO. OR DESCRIPTION	REVISED	DATE

<p>Amtek Technology Co., Ltd.                  TEL: 886-2-2260-6878                  FAX: 886-2-2260-8030</p>	品名 TITLE	BOX HEADER 2.0mm			頁數 Page	1/1
	品號 PART NO.	5BH2SDA48-XXXX5XU-00			繪圖 DRAWN	Jeff 2015/09/03
	圖號 DRAWING NO.		版本 REV.	A	核對 CHECKED	John 2015/09/03
	客戶品號 CUSTOMER P/N		比例 SCALE	None	承認 APPROVED	John 2015/09/03
	公差 TOLERANCE	.X ± 0.25 .XX ± 0.20	.X° ± 3°	單位 UNIT	mm	THIRD ANGLE PROJECTION