

SPECIFICATION

Current Rating: 2 AMP
 Insulation Resistance: 1000MΩ Min.
 Contact Resistance: 20mΩ Max.
 Dielectric Voltage: 500V AC for one minute
 Operation Temperature: -40°C to +105°C

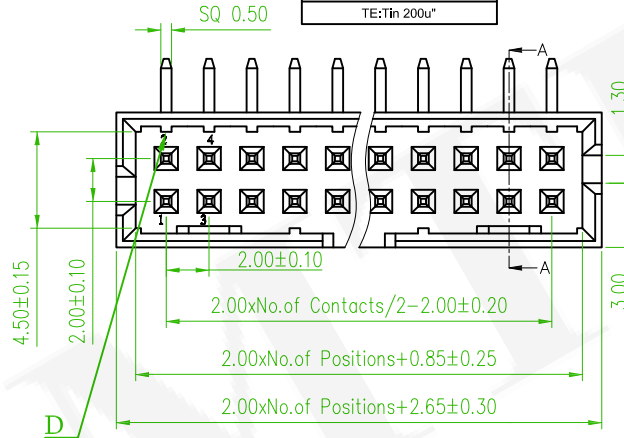
MATERIAL

Insulator: Hi-Temp. Thermoplastic, UL94V-0, Black
 Contact Pin: Copper Alloy

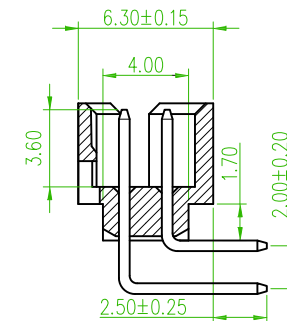
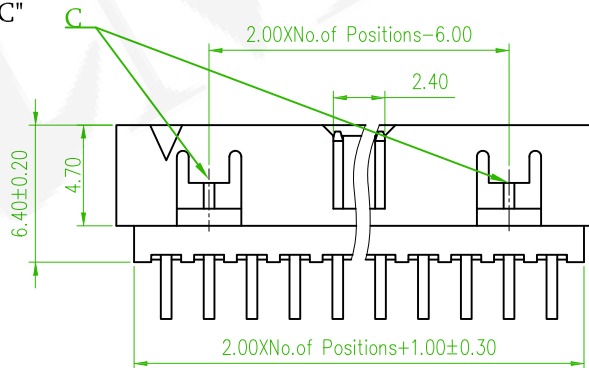
ORDER INFORMATION

5 B H 2 R D A 6 4 - X X X X 5 X U - 0 0

No. of contacts (08, 10, 12, 14, 16, 20, 24, 26, 30, 34, 40, 44, 50, 60)	G0:Gold Flash GA:5u" GB:10u" GC:20u" GD:30u"	S0:Selective SA:5u" SB:10u" SC:20u" SD:30u"	5:W/O peg	T:Tube, W/O Cap C:Tube, With Cap A:Tray, W/O Cap P:Tray, With Cap	RoHS
	T0:Tin Plated TE:Tin 200u"				



Note: 6 Pin Without "C" "D"
 8 to 12 Pin Without "C"



Old Part No.:BH2AR-XX-U



Recommended PCB Layout
 (PCB TOLERANCE ±0.1)

REV.	ECN NO. OR DESCRIPTION	REVISED	DATE

 糧德精密有限公司 Amtek Technology Co., Ltd. TEL: 886-2-2260-6878 FAX: 886-2-2260-8030	品名 TITLE	BOX HEADER 2.0mm			頁數 Page	1/1
	品號 PART NO.	5BH2RDA64-XXXX5XU-00			繪圖 DRAWN	Jeff 2015/09/03
	圖號 DRAWING NO.	版本 REV.	A	核對 CHECKED	John 2015/09/03	
	客戶品號 CUSTOMER P/N	比例 SCALE	None	承認 APPROVED	John 2015/09/03	
	公差 TOLERANCE	.X ± 0.25 .XX ± 0.20	.X° ± 3°	單位 UNIT	mm	THIRD ANGLE PROJECTION