

SPECIFICATION

Current Rating: 2 AMP
 Insulation Resistance: 1000MΩ Min.
 Contact Resistance: 20mΩ Max.
 Dielectric Voltage: 500V AC for one minute
 Operation Temperature: -40°C to +105°C

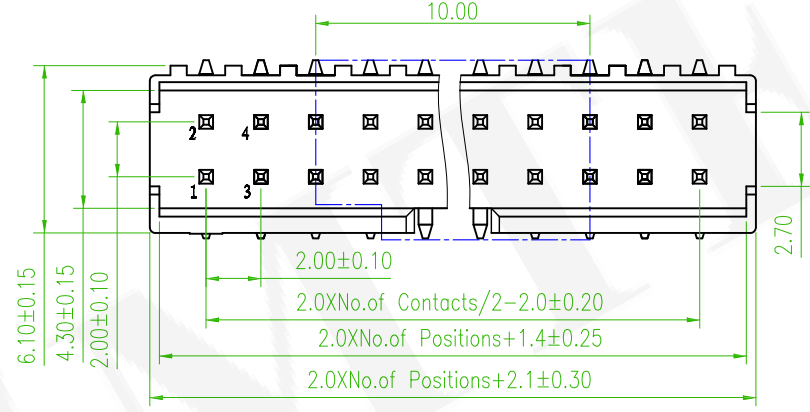
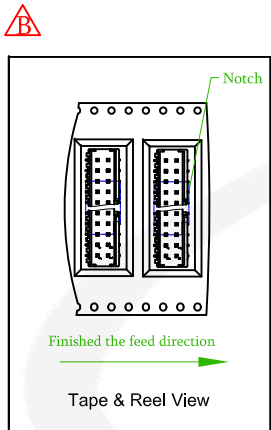
MATERIAL

Insulator:Hi-Temp. Thermoplastic, UL94V-0, Black
 Contact Pin:Copper Alloy

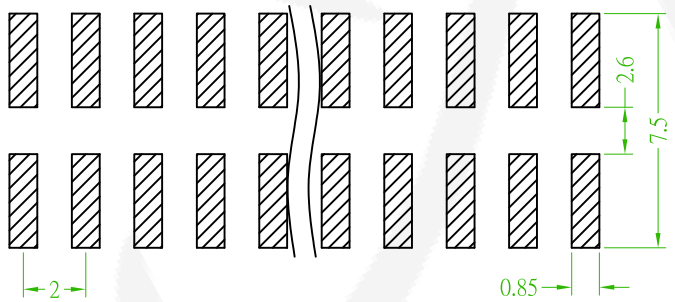
ORDER INFORMATION

5 B H 2 M S A 6 1 - X X X X 5 X U - X 0

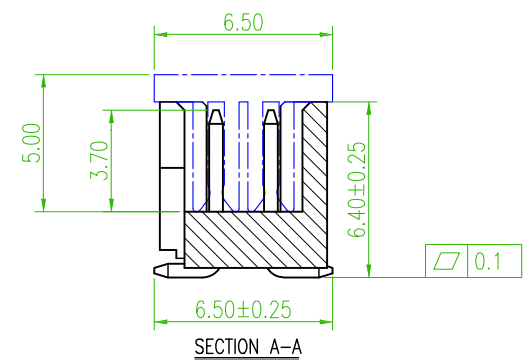
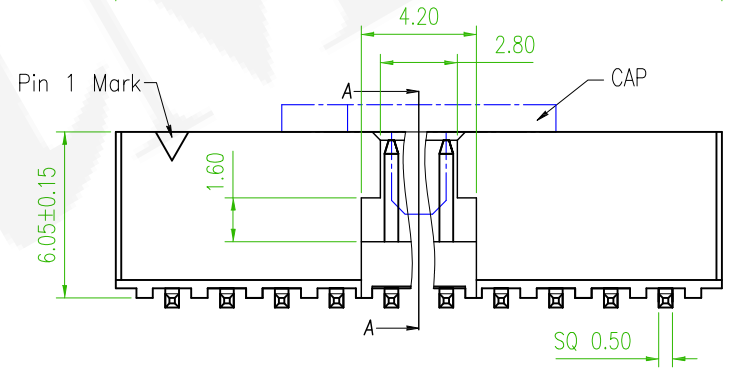
No. of contacts (10,14,16,20,24,26,30,34,40,44,50,60)	G0:Gold Flash GA:5u" GB:10u" GC:20u" GD:30u" T0:Tin Plated TE:Tin 200u"	S0>Selective SA:5u" SB:10u" SC:20u" SD:30u"	5:W/O Peg	T:Tube, W/O Cap A:Tray W/O Cap C:Tube With Cap R:T/R With Cap	RoHS	0 Other Package R Tape & Reel : Notch on Right Side
--	---	---	-----------	--	------	---



Amtek
 2018.05.21
 文管中心



Recommended PCB Layout
 (PCB TOLERANCE ±0.1)



SECTION A-A
 Old Part No.:BH2BM-XX-U

△x1	Add the Tape & Reel View	Roy	2018/04/11
REV.	ECN NO. OR DESCRIPTION	REVISED	DATE

 糧德精密有限公司 Amtek Technology Co., Ltd. TEL: 886-2-2260-6878 FAX: 886-2-2260-8030	品名 TITLE	2.0mm BOX HEADER V/T SMT TYPE			頁數 Page	1/1
	品號 PART NO.	5BH2MSA61-XXXX5XU-X0			繪圖 DRAWN	Jeff 2016/10/05
	圖號 DRAWING NO.	GN003-RR392	版本 REV.	B	核對 CHECKED	Josh 2018/04/11
	客戶品號 CUSTOMER P/N		比例 SCALE	None	承認 APPROVED	Jason 2018/04/11
	公差 TOLERANCE	.X ± 0.40 .XX ± 0.25	單位 UNIT	mm	THIRD ANGLE PROJECTION	