

SPECIFICATION

Current Rating: 2 AMP
 Insulation Resistance: 1000 MΩ Min.
 Contact Resistance: 20m Ω Max.
 Dielectric Voltage: 500V AC for one minute ☉:Standard Recommend
 Operation Temperature: -40°C to +105°C

MATERIAL

Insulator: Hi-Temp. Thermoplastic, UL94V-0, Black
 Contact Pin: Copper Alloy

ORDER INFORMATION

5 B H 2 E M A 5 8 - X X X X 5 X U XXXXXX - 0 0

No. of contacts
(10,14,16,20
.24,26,30
,34,40,44,50,60)

G0:Gold Flash	S0>Selective
GA:5u"	SA:5u"
GB:10u"	SB:10u"
GC:20u"	SC:20u"
GD:30u"	SD:30u"
T0:Tin Plated	
TE:Tin 200u"	

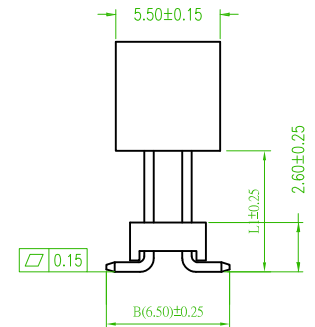
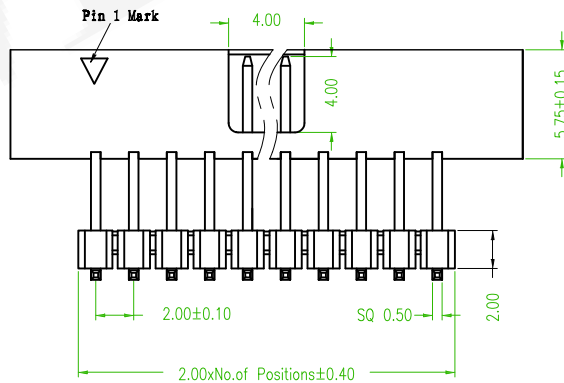
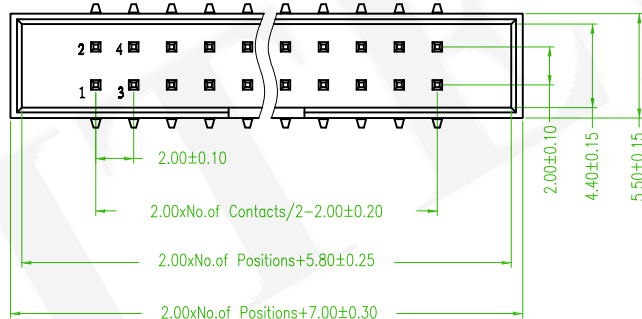
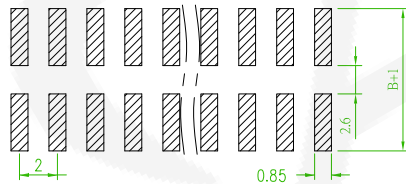
5:W/O peg



T:Tube, W/O Cap
 C:Tube, With Cap
 ☉A:Tray, W/O Cap
 P:Tray, With Cap

RoHS

EX:066078
 L1:6.6(066)
 B:7.8(078)



Old Part No.:BH2EM-XX-U

REV.	ECN NO. OR DESCRIPTION	REVISED	DATE
⚠x1	Remove the Tape & Reel option.	Roy	2018/04/11

<p>Amtek Technology Co., Ltd. TEL: 886-2-2260-6878 FAX: 886-2-2260-8030</p>	品名 TITLE	2.0mm BOX HEADER V/T SMT TYPE			頁數 Page	1/1
	品號 PART NO.	5BH2EMA58-XXXXX5UXXXXXXX-00			繪圖 DRAWN	Jeff 2015/09/03
	圖號 DRAWING NO.	GN003-RR395	版本 REV.	B	核對 CHECKED	Josh 2018/04/11
	客戶品號 CUSTOMER P/N		比例 SCALE	None	承認 APPROVED	Jason 2018/04/11
	公差 TOLERANCE	.X ± 0.25 .XX ± 0.20	.X° ± 3°	單位 UNIT	mm	THIRD ANGLE PROJECTION