

**SPECIFICATION**

Current Rating: 2 AMP  
 Insulation Resistance: 1000MΩ Min.  
 Contact Resistance: 20m Ω Max.  
 Dielectric Voltage: 500V AC for one minute ☉:Standard Recommend  
 Operation Temperature: -40°C to +105°C

**MATERIAL**

Insulator: Hi-Temp. Thermoplastic, UL94V-0, Black  
 Contact Pin: Copper Alloy

**ORDER INFORMATION**

5 B H 2 E M A 4 8 - X X X X 5 X U XXXXXX - X 0

No. of contacts  
(10,14,16,20  
,24,26,30  
,34,40,44,50,60)

G0:Gold Flash	S0>Selective
GA:5u"	SA:5u"
GB:10u"	SB:10u"
GC:20u"	SC:20u"
GD:30u"	SD:30u"
T0:Tin Plated	
TE:Tin 200u"	

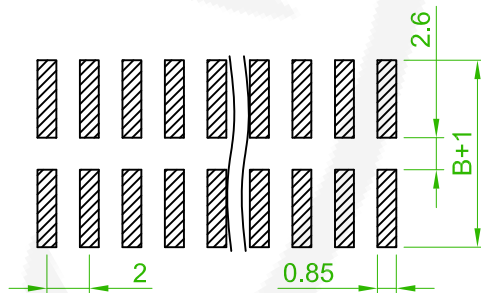
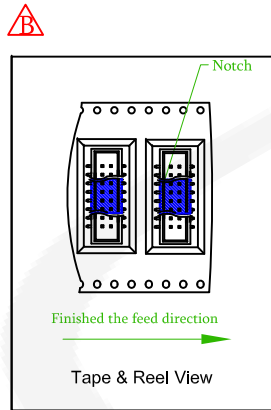
5:W/O peg

T:Tube, W/O Cap
C:Tube, With Cap
R:Tape & Reel, With Cap
H:Tape & Reel, W/O Cap
ⓐ:Tray, W/O Cap
P:Tray, With Cap

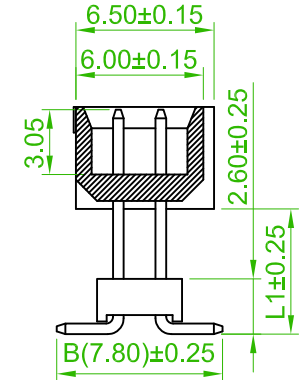
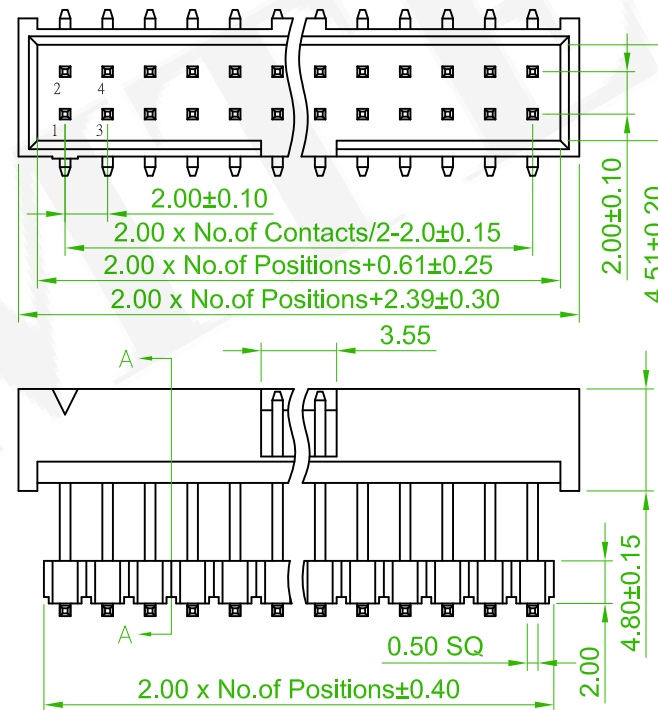
RoHS

EX:066078  
 L1:6.6(066)  
 B:7.8(078)

0	Other Package
L	Tape & Reel : Notch on Left Side



Recommended PCB Layout  
(PCB TOLERANCE ±0.1)



Old Part No.:BH2EGM-XX-U



△x1	Add the Tape & Reel View	Roy	2018/04/11
REV.	ECN NO. OR DESCRIPTION	REVISED	DATE

<p>Amtek Technology Co., Ltd.                  TEL: 886-2-2260-6878                  FAX: 886-2-2260-8030</p>	品名 TITLE	2.0mm BOX HEADER V/T SMT TYPE			頁數 Page	1/1
	品號 PART NO.	5BH2EMA48-XXXXX5UXXXXXXX-X0			繪圖 DRAWN	Jeff
	圖號 DRAWING NO.	GN003-RR394	版本 REV.	B	核對 CHECKED	Josh
	客戶品號 CUSTOMER P/N		比例 SCALE	None	承認 APPROVED	Jason
	公差 TOLERANCE	.X ± 0.25 .XX ± 0.20	.X° ± 3°	單位 UNIT	mm	THIRD ANGLE PROJECTION