

**SPECIFICATION**

Current Rating: 3 AMP  
 Insulation Resistance: 1000MΩ Min.  
 Contact Resistance: 20mΩ Max.  
 Dielectric Voltage: 500V AC for one minute  
 Operation Temperature: -40°C to +105°C

**MATERIAL**

Insulator: Hi-Temp. Thermoplastic, UL94V-0, Black  
 Contact Pin: Copper Alloy

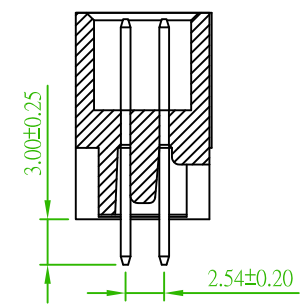
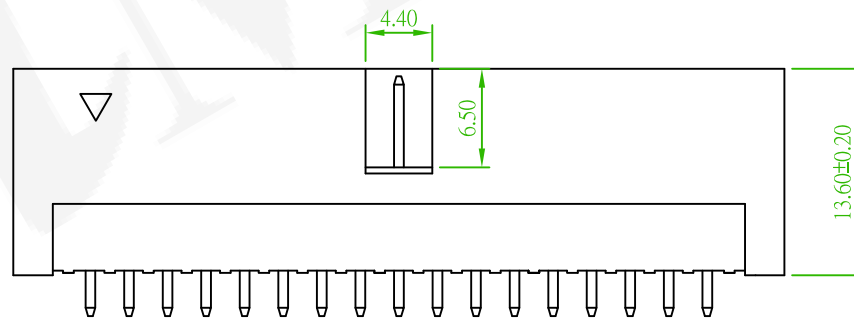
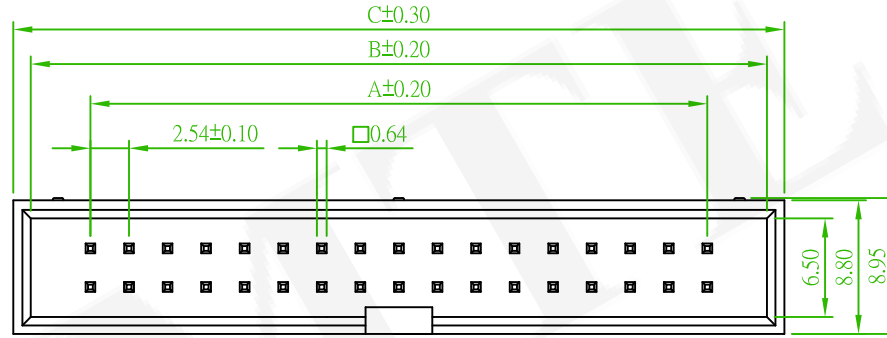
**ORDER INFORMATION**

5 B H 1 S D A D 6 - X X X X 5 X U - 0 0

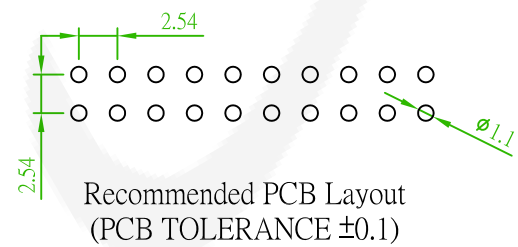
Plastic Height D6=13.6mm	No. of contacts (06~64)	G0:Gold Flash GA:5u" GB:10u" GC:20u" GD:30u" T0:Tin Plated TE:Tin 200u"	S0:Selective SA:5u" SB:10u" SC:20u" SD:30u"	5:W/O peg	T:Tube, W/O Cap C:Tube, With Cap H:Tape & Reel, W/O Cap R:Tape & Reel, With Cap A:Tray, W/O Cap P:Tray, With Cap	RoHS
-----------------------------	----------------------------	---	---	-----------	---	------



No. of Contacts	DIM A	DIM B	DIM C
10	10.16	18.02	20.32
12	12.70	20.56	22.86
14	15.24	23.10	25.40
16	17.78	25.64	27.94
18	20.32	28.18	30.48
20	22.86	30.72	33.02
22	25.40	33.26	35.56
26	30.48	38.34	40.64
30	35.56	43.42	45.72
34	40.64	48.50	50.80
40	48.26	56.12	58.42
50	60.96	68.82	71.12
60	73.66	81.52	83.82
64	78.74	86.60	88.90



Old Part No.:BH1AS-XX-U



<p>Amtek Technology Co., Ltd.                  TEL: 886-2-2260-6878                  FAX: 886-2-2260-8030</p>	品名 TITLE	BOX HEADER 2.54mm 180°			頁數 Page	1/1
	品號 PART NO.	5BH1SDAD6-XXXX5XU-00			繪圖 DRAWN	Jeff 2015/09/03
	圖號 DRAWING NO.	版本 REV.	A	核對 CHECKED	John 2015/09/03	
	客戶品號 CUSTOMER P/N	比例 SCALE	None	承認 APPROVED	John 2015/09/03	
	公差 TOLERANCE	.X ± 0.25 .XX ± 0.20	.X° ± 3°	單位 UNIT	mm	THIRD ANGLE PROJECTION

REV.	ECN NO. OR DESCRIPTION	REVISED	DATE