

SPECIFICATIONS

Current Rating: 5 Amp
 Insulator Resistance: 5000MΩ min.
 Dielectric Withstanding Voltage: AC 1000V min.
 Contact Resistance: 10mΩ max.
 Operating Temperature: -55°C - +85°

MATERIAL

Insulator: PBT, UL94V-0
 Terminal: Copper Alloy

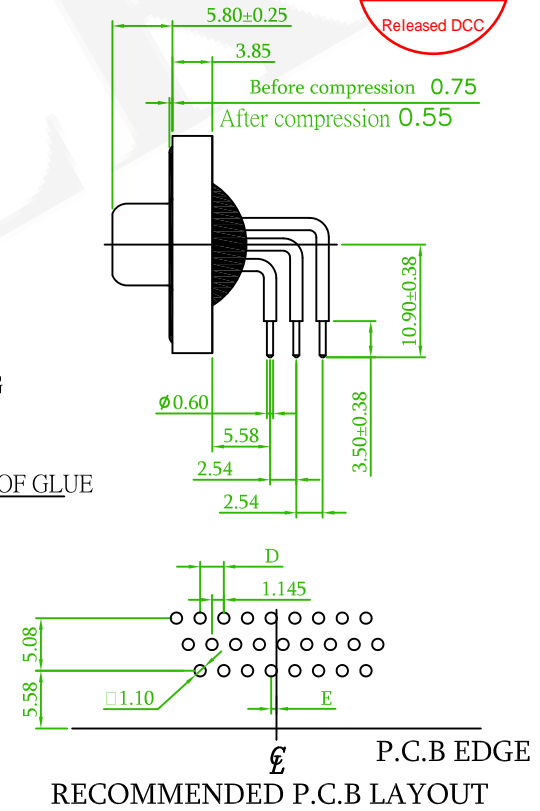
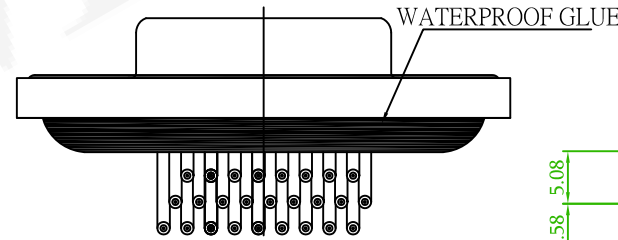
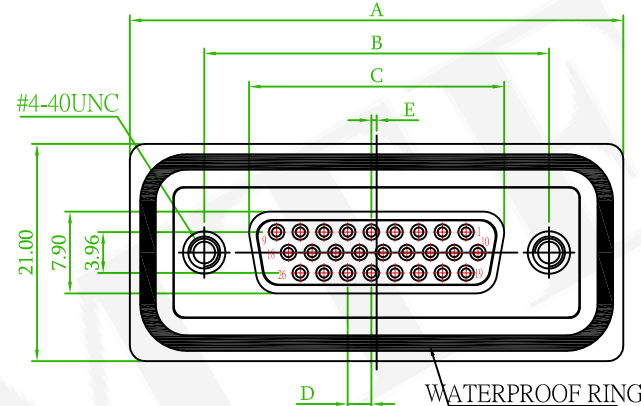
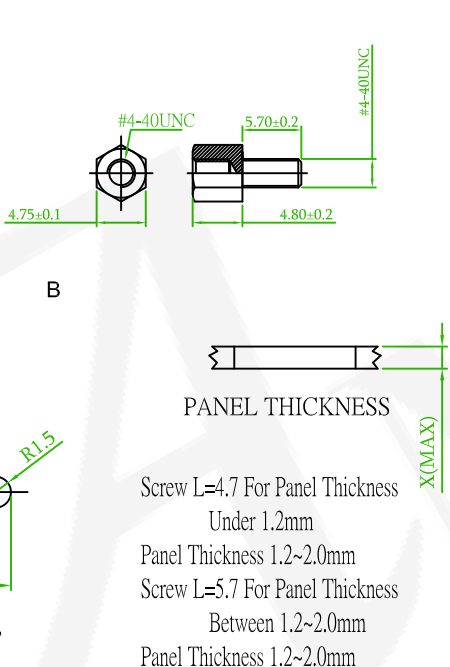
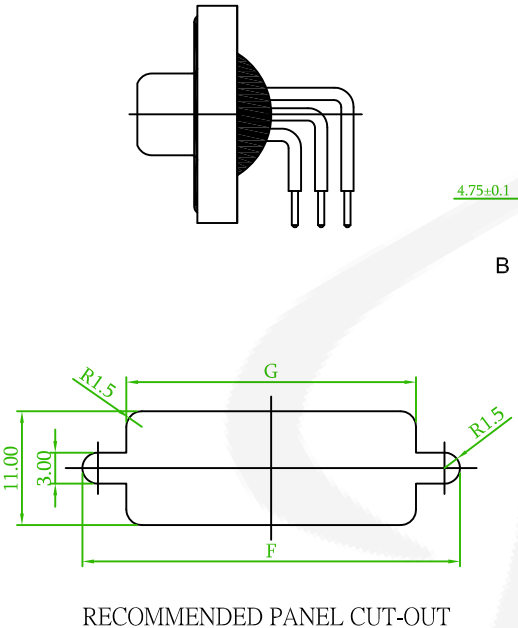
ORDER INFORMATION

5 7 W H D R X F - X X N X X X B A - 0 1

1: Tin shell + L(RoHS)	F: Female	No. of contacts (15,26,44)	N: Non	A: Revit B: Revit + Screw Attached	G0: Gold Flash GD: Gold 30u"	Ⓢ: Black insulator	A: Tray
2: Nickel shell + L(RoHS)	Ⓢ: Standard Recommend						



AMTEK 耀德
 2018.09.26
 Released DCC



NO.	A ±0.25	B ±0.25	C ±0.13	D ±0.13	E ±0.25	F ±0.25	G ±0.25
15S	39.40	24.99	16.33	2.29	0.25	28.20	20.00
26S	47.70	33.32	24.66	2.29	0.51	36.50	28.00
44S	64.50	47.04	38.38	2.29	0.51	51.00	41.50

Old Part No.: WHDBR-FXX-L

REV.	ECN NO. OR DESCRIPTION	REVISED	DATE

 耀德精密有限公司 Amtek Technology Co., Ltd. TEL: 886-2-2260-6878 FAX: 886-2-2260-8030	品名 TITLE	WATERPROOF D-SUB DIP R/A TYPE				
	品號 PART NO.	57WHDRXF-XXNXXXBA-01		繪圖 DRAWN	Roy	
	圖號 DRAWING NO.	GW037-RL616	版本 REV.	A	核對 CHECKED	Jonny
	客戶品號 CUSTOMER P/N		比例 SCALE	None	承認 APPROVED	Aaron
	公差 TOLERANCE	.X ± 0.38 .XX ± 0.25	X° ± 3°	單位 UNIT	mm	THIRD ANGLE PROJECTION