

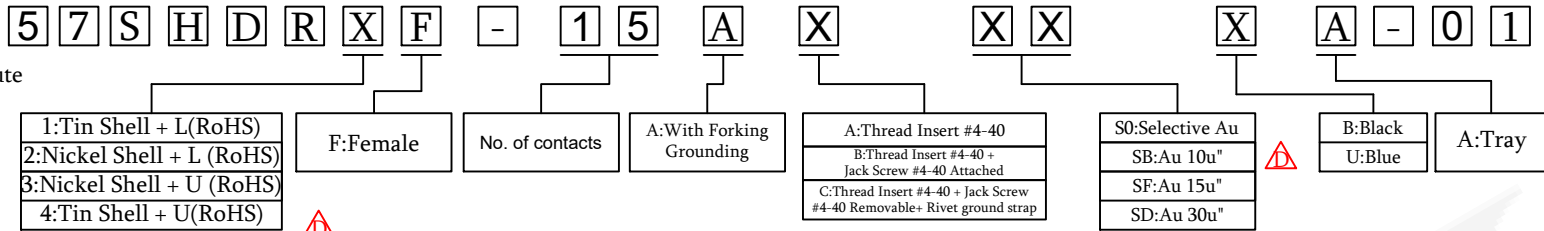
**SPECIFICATION**

Current Rating: 3 AMP  
 Insulation Resistance: 1000MΩ Min.  
 Contact Resistance: 25mΩ Max.  
 Dielectric Voltage: 500V AC for one minute  
 Operation Temperature: -55°C to +85°C

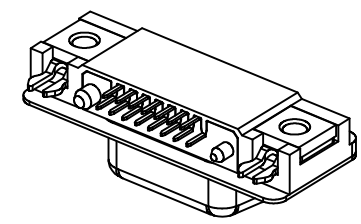
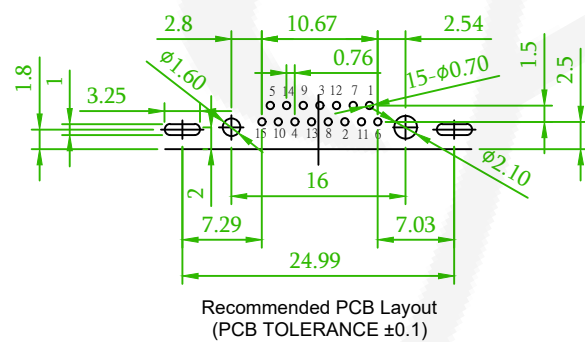
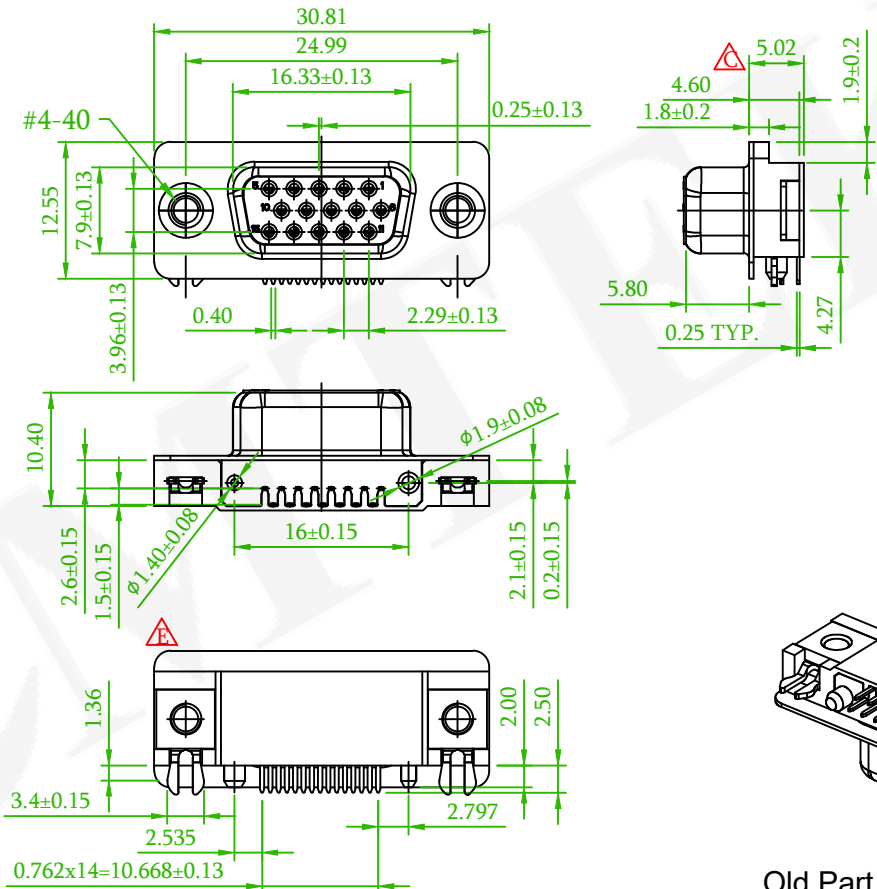
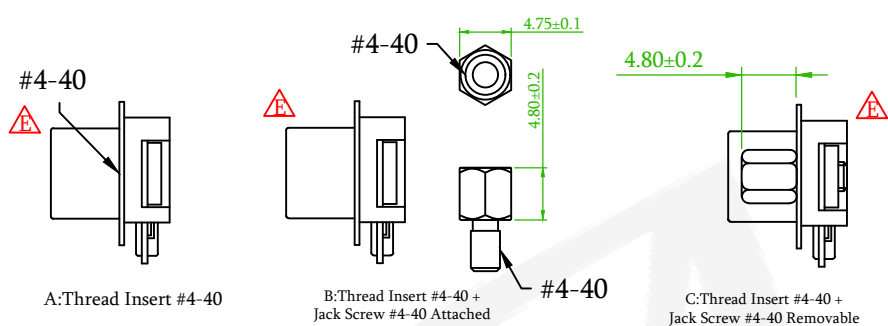
**MATERIAL**

Insulator: PBT or Nylon 9T, UL 94V-0  
 Contact Pin: Copper Alloy  
 Shell: SPCC  
 Boardlock: Copper Alloy  
 Rivet: Copper Alloy  
 Screw: Copper Alloy

**ORDER INFORMATION**



AMTEK 糧德  
 2022.08.18  
 Released DCC



Old Part No.: MNHDBR-F15-L

△x4	ECN NO.:220122 Revise the drawing	Alice	2022/02/14
△x3	Add options: 3: Nickel Shell + U(RoHS), 4: Tin Shell + U(RoHS), SB: Au 10u".	Gary	2018/07/04
△x1	Revise the drawing.	Roy	2017/02/14
REV.	ECN NO. OR DESCRIPTION	REVISED	DATE

糧德精密有限公司  
 Amtek Technology Co., Ltd.  
 TEL: 886-2-2260-6878  
 FAX: 886-2-2260-8030

品名 TITLE	D-SUB HIGH SLIM RIGHT ANGLE TYPE				頁數 Page	1/1
品號 PART NO.	57SHDRXF-15AXXXXA-01				繪圖 DRAWN	Jeff 2015/09/08
圖號 DRAWING NO.	GW037-RL292	版本 REV.	E	核對 CHECKED	Josh 2018/07/04	
客戶品號 CUSTOMER P/N		比例 SCALE	None	承認 APPROVED	Jason 2018/07/04	
公差 TOLERANCE	.X ± 0.38	單位 UNIT	mm	THIRD ANGLE PROJECTION		
	.XX ± 0.25					