

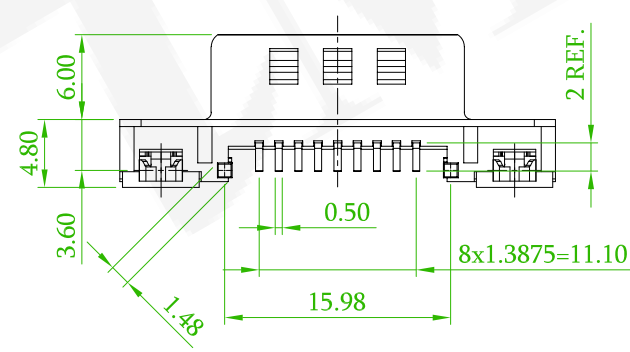
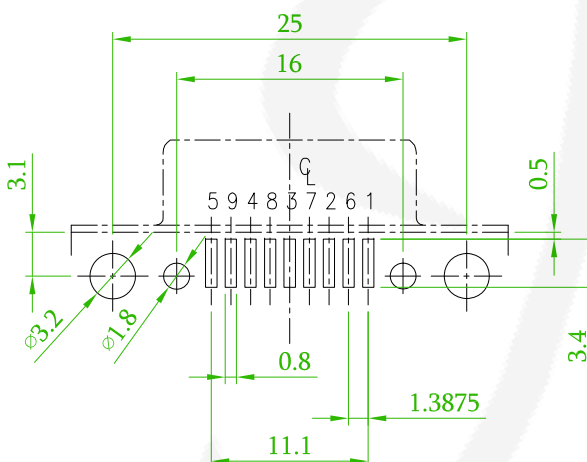
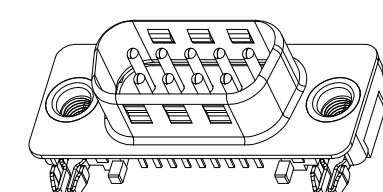
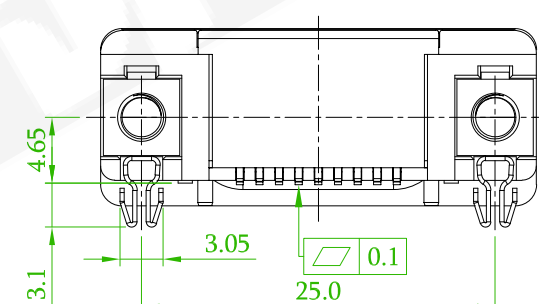
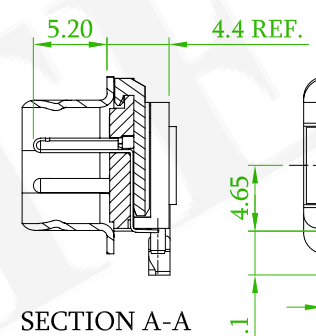
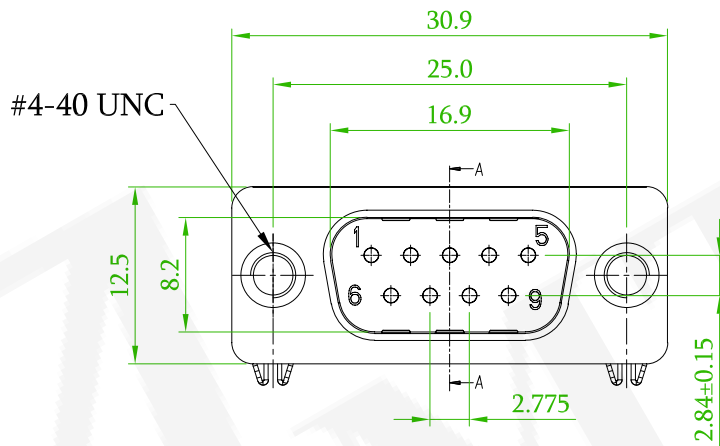
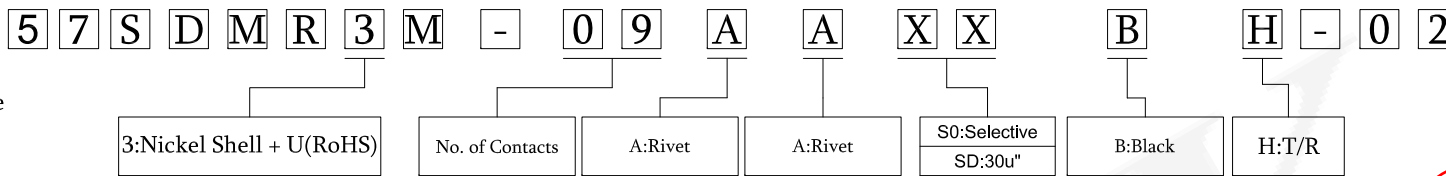
SPECIFICATION

Current Rating: 5 AMP
 Insulation Resistance: 5000MΩ Min.
 Contact Resistance: 30mΩ Max.
 Dielectric Voltage: 1000V AC for one minute
 Operation Temperature: -25°C to +85°C

MATERIAL


Insulator: LCP+G.F., UL94V-0
 Contact Pin: Copper Alloy

ORDER INFORMATION



Recommended PCB Layout
 (PCB TOLERANCE ±0.05)

REV.	ECN NO. OR DESCRIPTION	REVISED	DATE

 糧德精密有限公司 Amtek Technology Co., Ltd. TEL: 886-2-2260-6878 FAX: 886-2-2260-8030	品名 TITLE	D-SUB R/A DIP TYPE			頁數 Page	1/1
	品號 PART NO.	57SDMR3M-09AAXXBH-02			繪圖 DRAWN	Gary
	圖號 DRAWING NO.	GN107-GA963	版本 REV.	A	核對 CHECKED	Josh
	客戶品號 CUSTOMER P/N		比例 SCALE	None	承認 APPROVED	Jason
	公差 TOLERANCE	.X ±0.38 .XX ±0.20	單位 UNIT	mm	THIRD ANGLE PROJECTION	