

### SPECIFICATIONS

Current Rating: 3 AMP  
 Insulation Resistance: 1000MΩ Min.  
 Contact Resistance: 13mΩ Max.  
 Dielectric Voltage: 500V AC for one minute  
 Operation Temperature: -55°C to +105°C

### MATERIAL

Insulator: PBT, UL94V-0  
 Contact Pin: Phosphor Bronze

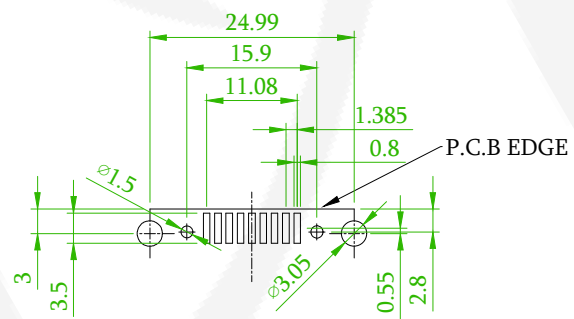
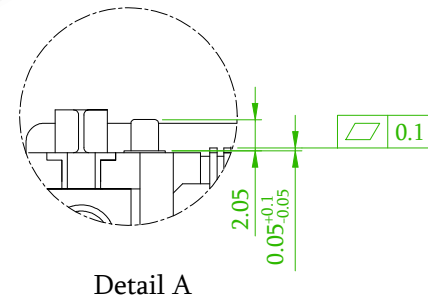
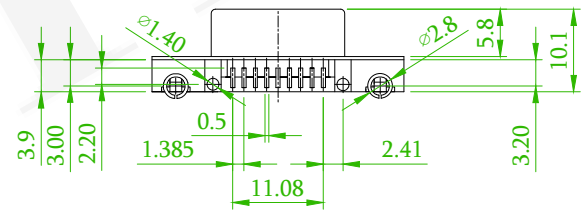
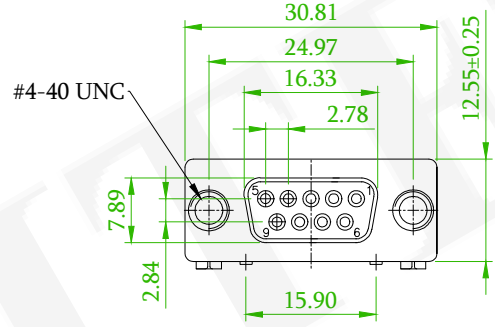
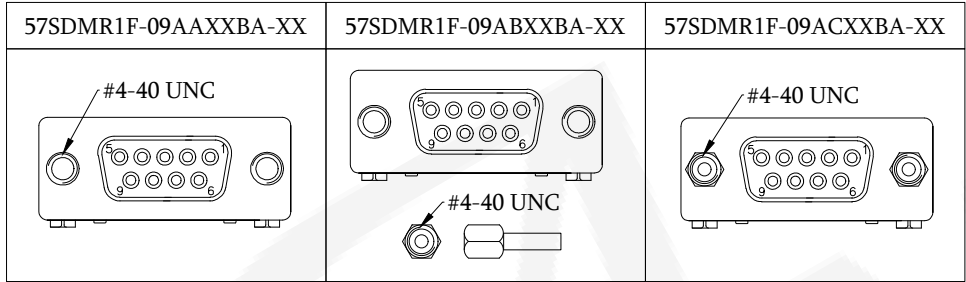
### ORDER INFORMATION

5 7 S D M R 2 F - 0 9 A X X X B A - 0 2

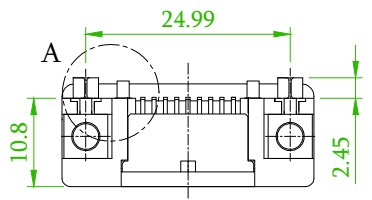
<b>B</b> : 2:Nickel shell + L(RoHS)	F:Female	No. of Contacts	A:With Forking Grounding	A:Rivet B:Rivet+Screw Attached C:Rivet+Screw Insert	S0:Selective SF:15u" SD:30u"	B:Black	A:Tray	02:Type
-------------------------------------	----------	-----------------	--------------------------	---	------------------------------------	---------	--------	---------



AMTEK 糧德  
 2020.10.28  
 Released DCC



Recommended PCB Layout  
 (PCB TOLERANCE ±0.1)



糧德精密有限公司  
 Amtek Technology Co., Ltd.  
 TEL: 886-2-2260-6878  
 FAX: 886-2-2260-8030

品名 TITLE	SLIM D-SUB R/A SMT TYPE				頁數 Page	1/1
品號 PART NO.	B 57SDMR2F-09AXXXBA-02			繪圖 DRAWN	Gary 2018/01/10	
圖號 DRAWING NO.	GW058-GA887	版本 REV.	B	核對 CHECKED	Josh 2018/01/10	
客戶品號 CUSTOMER P/N		比例 SCALE	None	承認 APPROVED	Jason 2018/01/10	
公差 TOLERANCE	.X ± 0.30	單位 UNIT	mm	THIRD ANGLE PROJECTION		
	.XX ± 0.20					

REV.	QEC NO:201001 Revise the plating	Alice	2020/10/22
	ECN NO. OR DESCRIPTION	REVISED	DATE