

SPECIFICATIONS

Current Rating: 3 AMP
 Insulation Resistance: 1000MΩ Min.
 Contact Resistance: 30mΩ Max
 Dielectric Voltage: 1000V AC for one minute
 Operating Temperature: -55°C ~ +105°C
 Durability: 500cycles

MATERIAL

Insulator: PBT, UL94V-0
 Contact: Copper alloy

ORDER INFORMATION

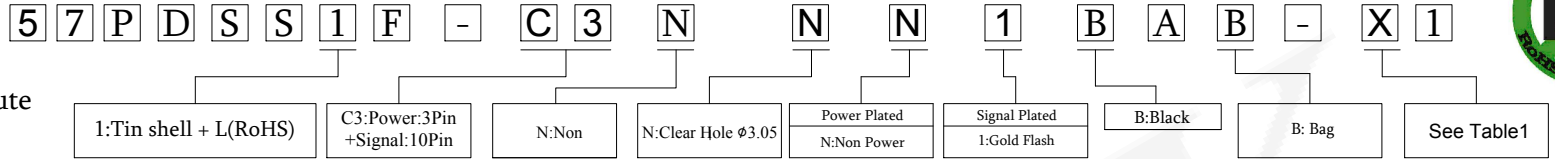
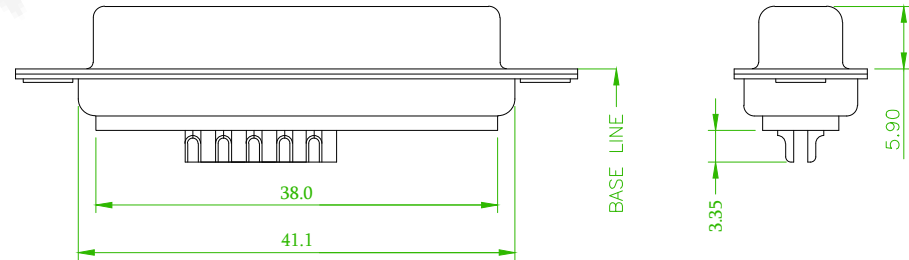
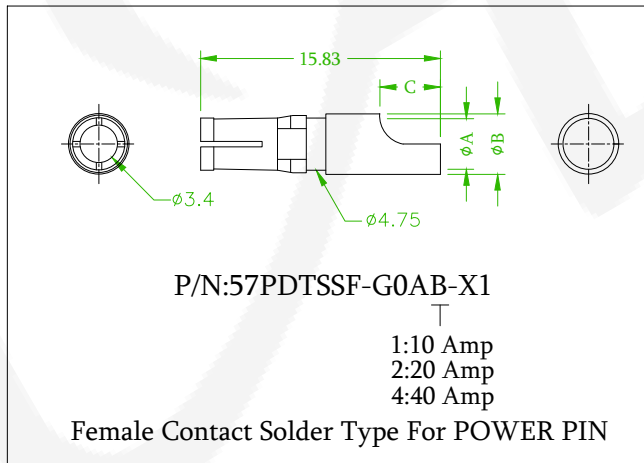
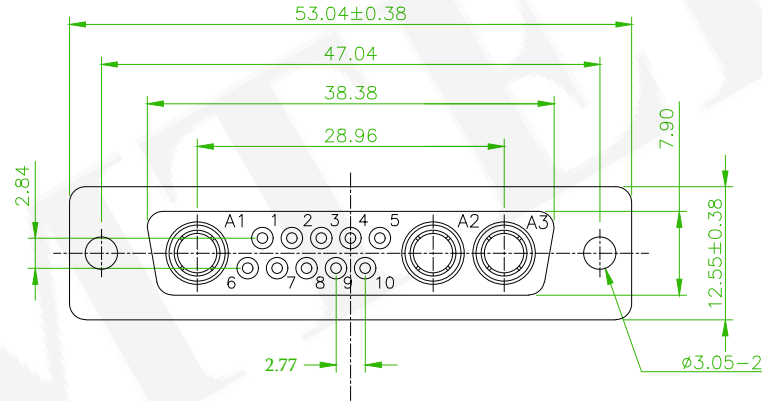


Table					
PART NO.	CURRENT RATING (Amps)	WIRE SIZE	Dimension		
			φA	φB	φC
4	40	AWG #8	4.6	5.5	5.5
2	20	AWG #12	2.7	3.6	5.0
1	10	AWG #16	1.7	2.5	4.5



57PDSS1F-C3NNN1BAJ-N1

<p>糧德精密有限公司 Amtek Technology Co., Ltd. TEL: 886-2-2260-6878 FAX: 886-2-2260-8030</p>	品名 TITLE	Power Conn.				
	品號 PART NO.	57PDSS1F-C3NNN1BAB-X1		繪圖 DRAWN	Alice 2020/06/19	
	圖號 DRAWING NO.	GW006-AL020	版本 REV.	A	核對 CHECKED	Josh 2020/06/19
	客戶品號 CUSTOMER P/N		比例 SCALE	None	承認 APPROVED	Josh 2020/06/19
	公差 TOLERANCE	.X ± 0.25 .XX ± 0.13	單位 UNIT	mm	THIRD ANGLE PROJECTION	

REV.	ECN NO. OR DESCRIPTION	REVISED	DATE